

vollara®

LAUNDRY PURE 2.0



COLD WATER LAUNDRY SYSTEM

READ MANUAL CAREFULLY FOR PROPER
USE AND OPTIMAL OPERATION.



GENERAL INFORMATION

PRODUCT OVERVIEW

LaundryPure 2.0 is designed to work in conjunction with your washing machine, using cold water and our proprietary ActivePure® Technology to clean clothes. As your washer begins to fill, LaundryPure 2.0 will turn on. LaundryPure 2.0 is equipped with an internal leak sensor.

LaundryPure 2.0 incorporates the power of our exclusive ActivePure® Technology with the cleaning action of water with hydrogen & oxygen-based molecules to lift dirt and grime away from the fibers of fabric and prevent the growth of odor-causing bacteria. LaundryPure 2.0 is an amazingly effective cold water laundry system for residential use.

LaundryPure 2.0 is intended to work with residential clothes washers and is for use by anyone interested in an economical alternative to the typical detergents and chemicals currently available.

LaundryPure 2.0 uses a variation of the technology originally developed for use in the International Space Station and is recognized as a Certified Space Technology by the Space Foundation.

CONTENTS

Product Overview	2
Specifications	2
Storage and Disposal.	2
Important Safety Instructions	3
Installation Requirements	4
Before You Start	5
Removing Cover	5
Installation of Wall Anchors or Screws.	6
Reinstall the Cover.	7
Hose Installation.	7
Connecting the Power Adapter	8
System Set Up.	9
Replacing the ActivePure Cell Assembly.	10
Before Washing Clothes	11
Using Your LaundryPure 2.0	11
For Washers That Require Hot & Cold Water Input	12
Temperature Controlling Water Valves	13
External Water Tap (Available Separately)	13
Status Indications	13
Frequently Asked Questions	14
Installation Problems?	14
Troubleshooting	15
Replacement Parts & Service.	17
Warranty Information	18
FCC Declaration & Responsible Party	19

FILL IN AND SAVE

Record information regarding your new LaundryPure 2.0 here.
Retain for future reference.

Model No. _____

Serial No. _____

Date of Purchase _____

Vollara Independent Distributor:

Name _____

Phone No. _____

Address _____

SPECIFICATIONS

LaundryPure 2.0

- Model Number: W1017C
- Sales Number: 9970022

Technology:

- ActivePure® Technology

Electrical:

- Power Usage: 0.4W AC (standby) 1.3W AC (operating)
- Power Adaptor Input: 100-240V ~50/60 Hz 0.45A
- Power Adaptor Output: DC out; 12V 2.5A

Water:

- **Pressure: Min. 20 psi to 60 psi Max./1.37~4.13 bar**
- Temperature: use cold water only

Operating:

- Temperature: 50°F - 100°F (10°C - 37.8°C)
- Humidity: 40% - 85%

Weight & Dimensions:

- 4.3 lbs (1.95 kg)
- 5.19" H x 17.3" W x 3.69" D
(13.48 cm x 43.94 cm x 9.37 cm)

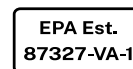
Warranty:

- Limited three (3) year warranty

We reserve the right to change or modify any specification without notice.

STORAGE AND DISPOSAL

Do not dispose of this product as household waste. Electrical waste and electronic products should be appropriately recycled as required by practices established by your local authority.



IMPORTANT SAFETY INSTRUCTIONS



WARNING

- To prevent unnecessary risk of fire, electrical shock, or personal injury, all wiring must be done in accordance with the National Electrical Code ANSI/FNPA, No. 70 - Latest Revision and local codes and ordinances in the USA; for Electrical Codes outside the USA, consult your local regulatory agency for the latest codes and ordinances; it is the personal responsibility and obligation of the appliance owner to provide adequate electrical service for this appliance
- Electrical shock hazard; you can be killed or seriously injured if you don't follow instructions



CAUTION

- We strongly recommend that a licensed plumber installs the LaundryPure 2.0
- Water pressure **MUST** be checked and within stated specs before installation
- If water pressure is greater than 60 psi, Water Pressure Reducer **MUST** be used (sold separately)
- Water treated by your LaundryPure 2.0 unit is intended for clothes washing only and is **NOT** approved for any internal consumption such as drinking, bathing, brushing teeth, etc; **DO NOT** drink, ingest, or internally consume the water from your LaundryPure 2.0 unit or washing machine; **DO NOT** provide water from your LaundryPure 2.0 to your pets or other animals
- **Damage to your appliance or the surrounding area can occur if you don't fully follow instructions**

Read this manual in its entirety prior to installing or using your LaundryPure 2.0.

Keep out of the reach of children.

- For indoor use only
- Water pressure **MUST** be checked and within stated specs before installation
- If water pressure is greater than 60 psi, Water Pressure Reducer **MUST** be used (sold separately)
- **DO NOT** operate unit with cover removed
- Disconnect all power before servicing
- **DO NOT** use an extension cord or other adapter with this appliance
- This appliance is not recommended for use with high sediment content water; if your water has a high sediment content, consult a water filtration expert for available options
- Maximum dynamic water inlet pressure is 60 psi
- Use the new hose included with the unit, when connecting the LaundryPure 2.0 to your washing machine; you should also replace any washing machine hose that is more than 3 years old
- **DO NOT** clean the cover of your LaundryPure 2.0 with harsh chemicals, abrasives, or cleansers; to clean, use a soft cloth dampened with water
- LaundryPure 2.0 is designed for normal residential use only; use in a commercial or non-residential setting may damage the unit and will void your warranty

NOTE: Your LaundryPure 2.0 Unit was factory tested. It is normal for some residual water to still remain in the unit as a result of these tests.

SAVE THESE INSTRUCTIONS

INSTALLATION REQUIREMENTS



WARNING

Never use an extension cord.



CAUTION

- We strongly recommend that a licensed plumber installs the LaundryPure 2.0
- Water pressure **MUST** be checked and within stated specs before installation
- If water pressure is greater than 60 psi, Water Pressure Reducer **MUST** be used (sold separately)
- **Incoming water pressure must be greater than 20 psi / 1.37 bar; if your household water pressure is greater than 60 psi / 4.13 bar, you must install an in-line pressure reducer before installing LaundryPure 2.0; failure to follow these instructions may result in water leakage, property damage, personal injury, and may void your warranty. Water pressure of 20 psi / 1.37 bar to 60 psi / 4.13 bar is required to correctly operate your LaundryPure 2.0; low water pressure may prevent your unit from operating properly and/or cause a failure in your washing machine's water valve**
- The washer's water valve may also not shut off completely; check the documentation supplied with your washing machine for exact specifications; your washing machine and cold water faucet must be within 4 feet of the right side of the unit to use the inlet hose provided with your LaundryPure 2.0
- **TO AVOID THE POSSIBILITY OF WATER DAMAGE, SHOULD A HOSE LEAK, ALWAYS HAVE FAUCETS ACCESSIBLE AND TURN OFF FAUCETS WHEN WASHER IS NOT IN USE; DO NOT USE WITH A CARBON FILTER**

ELECTRICAL REQUIREMENTS

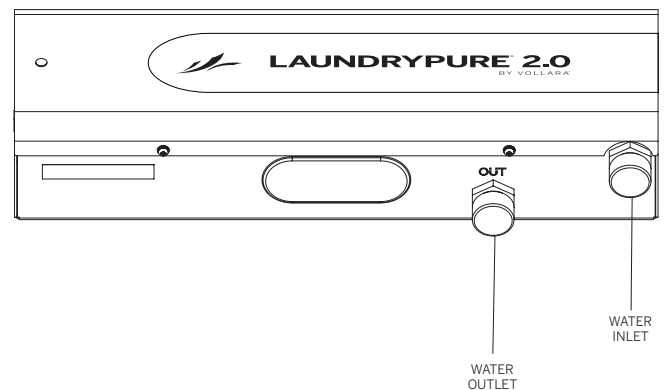
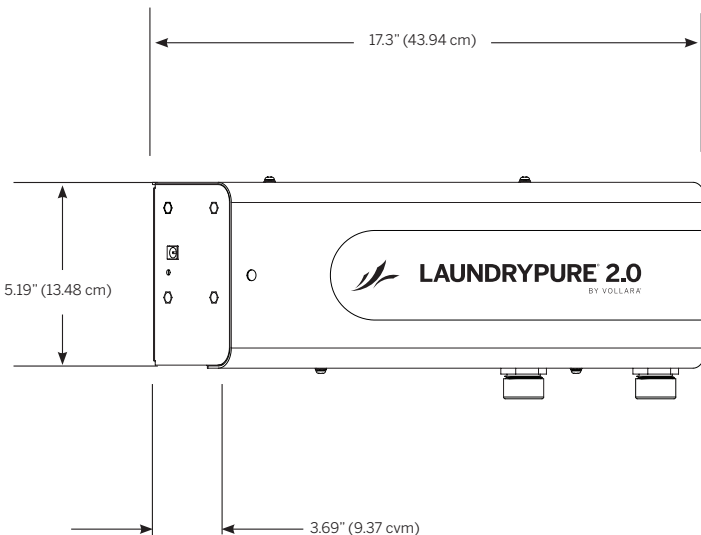
100 - 240 Volt 50/60 Hz 5 AMP (minimum) Fuse or Circuit Breaker. LaundryPure 2.0 is equipped with an AC to DC power supply.

WATER REQUIREMENTS

A dynamic water pressure greater than 20 psi / 1.37 bar and less than 60 psi / 4.13 bar is required to correctly operate your LaundryPure 2.0.

LOCATION CONSIDERATIONS

The LaundryPure 2.0 must never be installed in areas where water may freeze since the unit will always maintain some water in the unit, the water valve, and hose areas. This can cause damage to internal components. It is also recommended to avoid installation in areas of high humidity, as it can effect the operation of the unit.



BEFORE YOU START

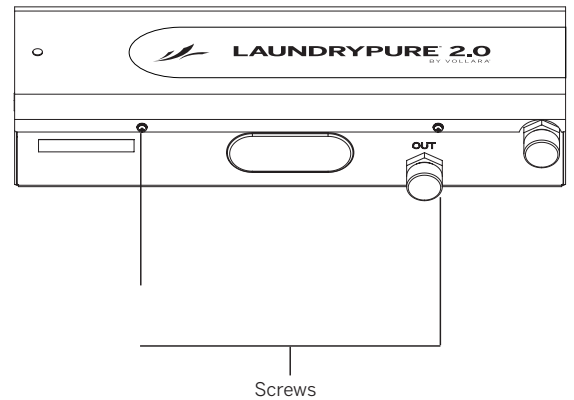


Your LaundryPure 2.0 unit was factory tested. It is normal for some residual water to still remain in the unit as a result of these tests.

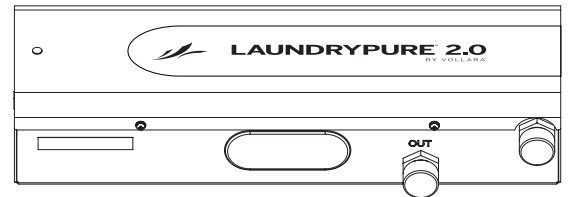
- Remove your new LaundryPure 2.0 from its packaging
- Inspect the unit for any signs of shipping damage

REMOVING COVER

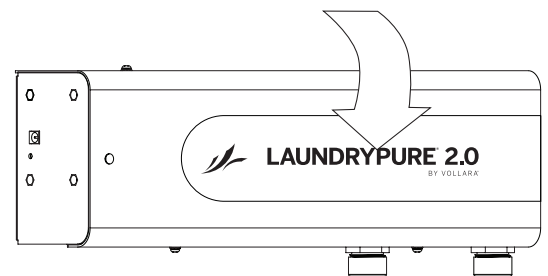
1. Remove the two (2) cover screws located on the bottom of the unit.



2. Remove the two (2) screws (not shown) along the top of the LaundryPure 2.0.



3. To remove the cover, pull the top away from the unit, then lift off the cover.



INSTALLATION OF WALL ANCHORS OR SCREWS

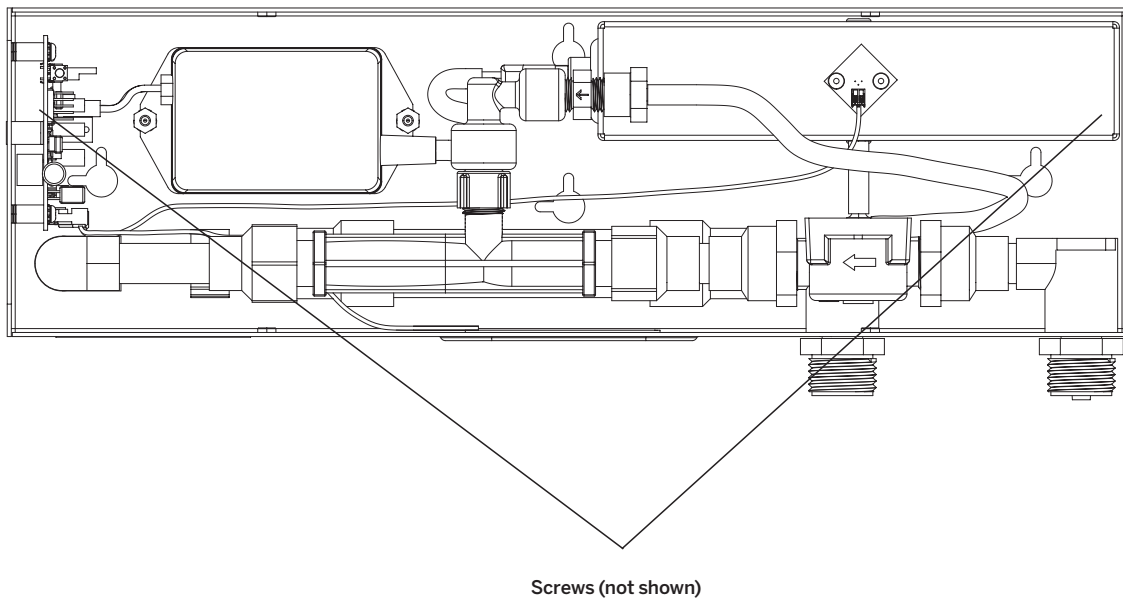
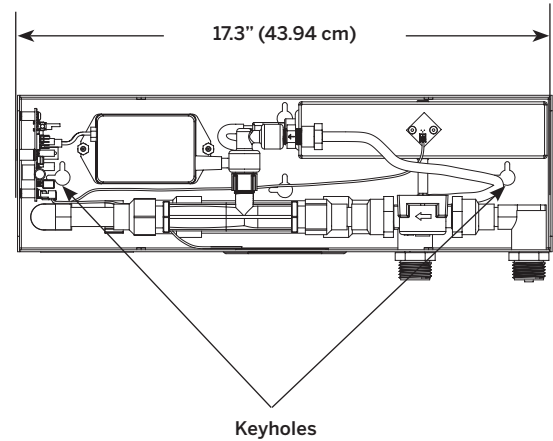
1. Place the LaundryPure 2.0 to the wall and mark the appropriate keyholes with a pencil.

NOTE: Washing machine and cold water faucet must be within 4 feet (1.21 m) of the right side of unit.

- A. If using supplied wall anchors, drill two 3/16" (4.76 mm) diameter holes. Place two wall anchors into the wall. Install two supplied screws and tighten until almost all the way in.
- B. If mounting to wall studs, drill two 3/32" (2.381 mm) diameter holes approximately 1" (25.4 mm) deep. Install two supplied screws and tighten until almost all the way in.

NOTE: The provided hardware kit contains adhesive backed rubber spacers to be placed on back of unit to provide additional clearance from wall if needed for hose installation or the use of ActiveClean Port. (Page 12)

2. Position the keyholes of the LaundryPure 2.0 onto the screws (not shown). Finish tightening screws enough to securely mount unit, but still allowing it to be removed from wall. Remove unit from wall.



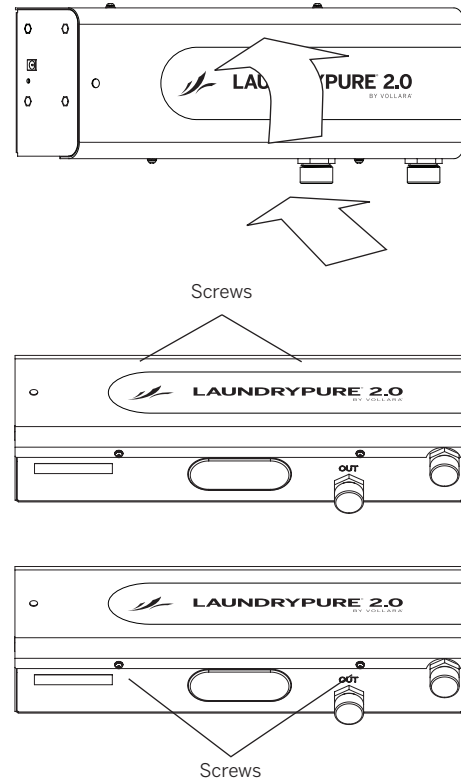
REINSTALL THE COVER

1. Return the LaundryPure 2.0 cover to its original position, fitting the bottom in place and tipping upward.

2. Secure with two (2) screws (not shown) along the top edge.

3. Put the two (2) remaining screws along the bottom edge and tighten.

NOTE: Remove the two black caps from the hose connections before installing hoses.



HOSE INSTALLATION

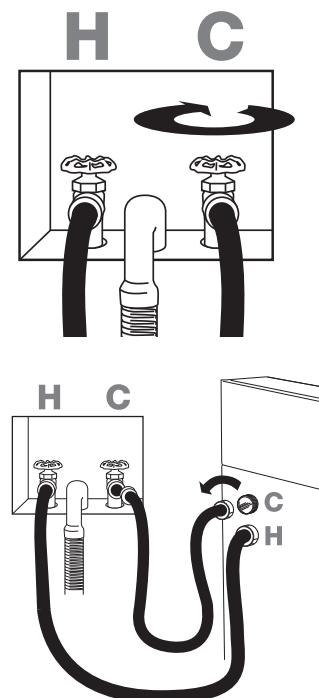


- When connecting hoses to your LaundryPure 2.0 start by hand tightening the hose connector(s); using adjustable pliers, finish tightening hose connector(s); **DO NOT** remove or disconnect the hot water line from your washing machine or water valve
- To ease hose installation and prevent cross threading, connect hose prior to mounting unit on wall

1. Turn the cold water off by shutting off the cold water faucet.

2. Remove the cold water hose from the cold water inlet on the back of your washing machine. Leave hot water hose attached.

NOTE: To help prevent water spray when disconnecting hoses, you can relieve pressure in the water line by momentarily starting your washing machine.



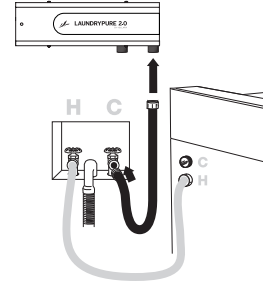
HOSE INSTALLATION (CONTINUED)



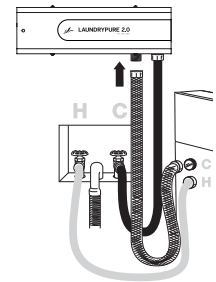
CAUTION

- If your existing hose is more than 3 years old, we recommend that you replace it with the optional stainless steel hose
- To ease hose installation and prevent cross threading, connect hoses prior to mounting unit on wall

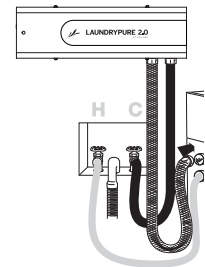
3. Connect the hose from the cold water inlet on your washing machine to the INLET connection on your LaundryPure 2.0.



4. Connect the new hose provided with your LaundryPure 2.0 to the water OUTLET connector on your LaundryPure 2.0 unit.



5. Finally, connect the new hose to the cold water inlet on your washing machine.



CONNECTING POWER ADAPTER

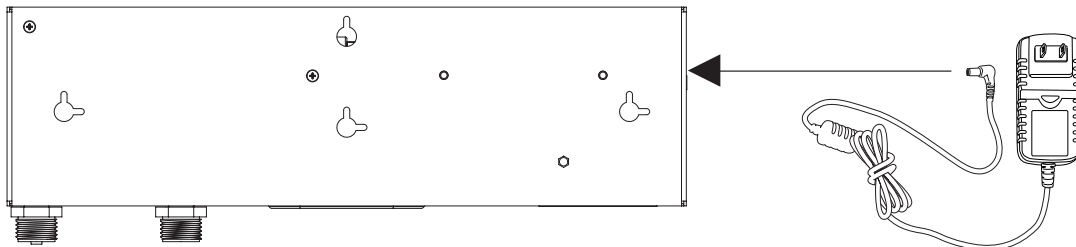


WARNING

DO NOT use any AC/DC adapter other than the one supplied with your LaundryPure 2.0 or Vollara replacement AC/DC adapter. Failure to follow these instructions may void your warranty and/or result in damage to your unit, fire, or electrical shock.

1. Insert the provided power cord into the POWER IN socket located on the side of the unit.

NOTE: Do not plug the adapter into the wall socket until installation is complete. See page 9.

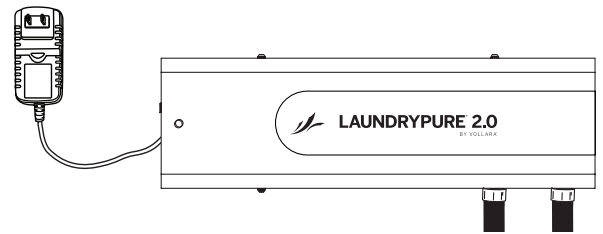


SYSTEM SET UP

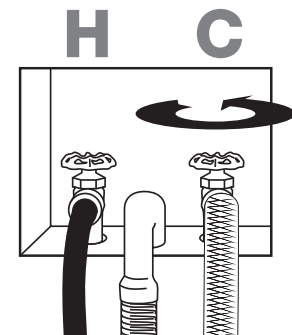


- Electrical Shock Hazard; when working with electrical connections, the appliance and surrounding area should be clean and dry of any standing water; failure to follow these instructions can result in death, fire, or electrical shock
- Electrical Shock Hazard; **DO NOT** use an extension cord; failure to follow these instructions can result in death, fire, or electrical shock

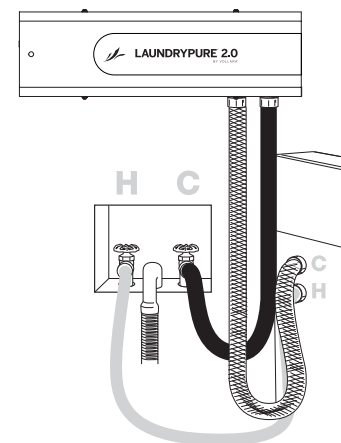
1. Plug power cord into the wall outlet of your home's electrical power system. See page 4 for electrical requirements.



2. Turn on the cold water valve.



3. Check all hoses to ensure no water is leaking. Tighten if necessary.



4. Start your washer. The status light should illuminate blue after a few seconds.

NOTE: Your LaundryPure 2.0 will automatically turn on and off as your washing machine starts, and stops.



Status Indicator Lights

REPLACING THE ACTIVEPURE CELL ASSEMBLY



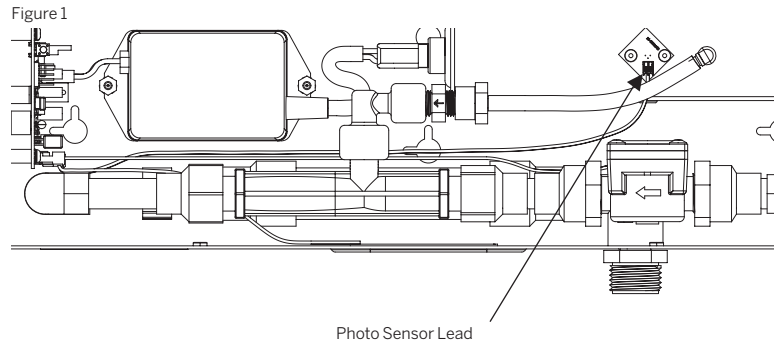
CAUTION

The ActivePure Cell Assembly requires replacement at approx. 9,000 hours of use or once every 12 months to maintain the Limited 3 year warranty. The LED will flash periodically (visual chirp) to notify that cell replacement is required. The UV bulb will **NOT** be turned on again until the cell has been replaced.

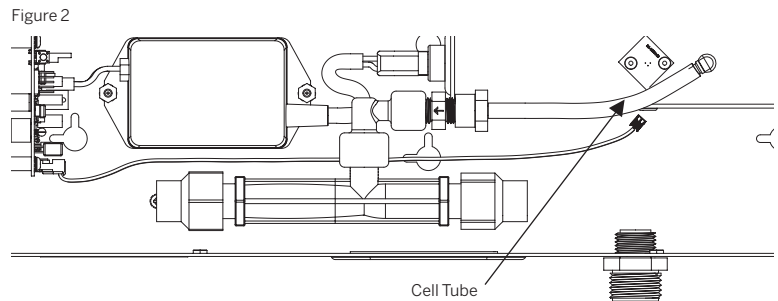
1. Unplug from power source and remove mounted unit from wall.

2. Remove cover (See Page 5).

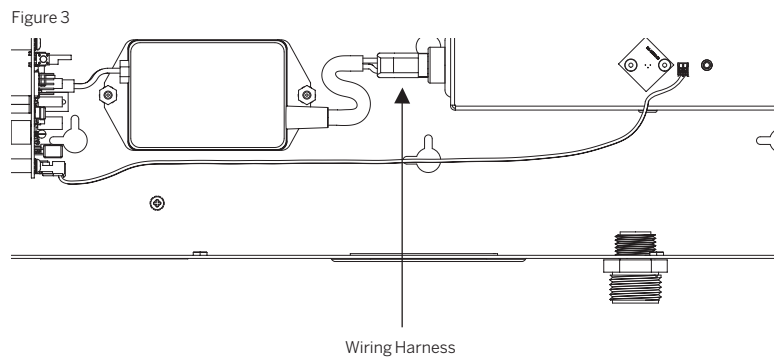
3. Unplug photo sensor lead (Figure 1).



4. Remove tubing from cell (Figure 2).



5. Unplug wiring harness from bulb (Figure 3).



6. Remove two screws to remove cell (Figure 4).

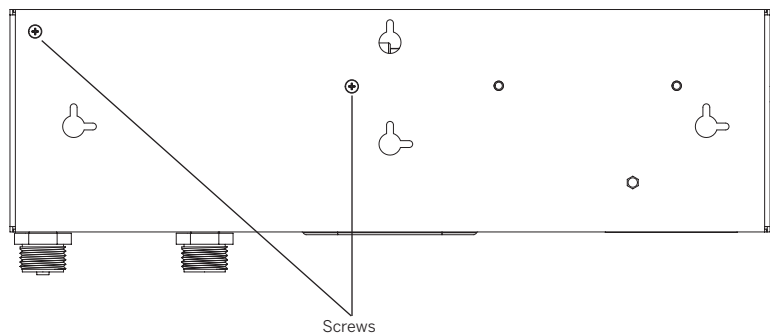
7. Replace with new cell and remount to base.

8. Plug wiring harness back onto bulb.

9. Fit tubing back onto cell.

10. Re-plug photosensor lead.

11. Replace cover (See page 7).



BEFORE WASHING CLOTHES



To avoid the possibility of water damage, should a hose leak, always have faucets accessible and turn off faucets when washer is not in use.

BEFORE USING YOUR LAUNDRYPURE 2.0 FOR THE FIRST TIME

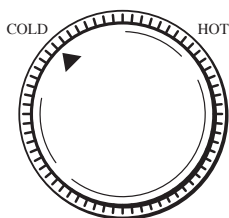
IF YOUR WASHING MACHINE IS NEW, skip this section and continue below.

IF YOUR WASHING MACHINE IS NOT NEW you will need to perform this procedure to help remove any detergent buildup that may contaminate your clothing.

1. Do not put clothes in the washer at this time. Set your machine to its largest load setting, cold water only.
2. Start the washer and let it run through every cycle.
3. Once it has finished, repeat Steps 1 and 2 three more times. Depending on the age and severity of detergent buildup, it may be necessary to perform Step 3 several times.

NOTE: If you have a front loading washer, odors can develop due to stagnant water left inside. If musty odors develop it may be necessary to run a commercially available cleaner made especially for front loading washers to eliminate such odors.

USING YOUR LAUNDRYPURE 2.0



NORMAL OPERATION

Using your LaundryPure 2.0 is as simple as turning on the washing machine. LaundryPure 2.0 is designed to use the COLD/COLD setting of your washing machine.

DETERGENT AND FABRIC SOFTENER

You may choose to continue to use detergent and/or fabric softeners if desired. However, to completely experience all the benefits of your new LaundryPure 2.0, we recommend washing using nothing but cold water. NEVER apply detergent directly to dry clothes. Allow washer to fill, then add detergent to prevent staining on clothes.

HEAVY STAINS

For heavy stains, pre-treat area, apply pre-treater, rub gently and let stand for several minutes. Wash as normal.



FOR WASHERS THAT REQUIRE HOT & COLD WATER INPUT

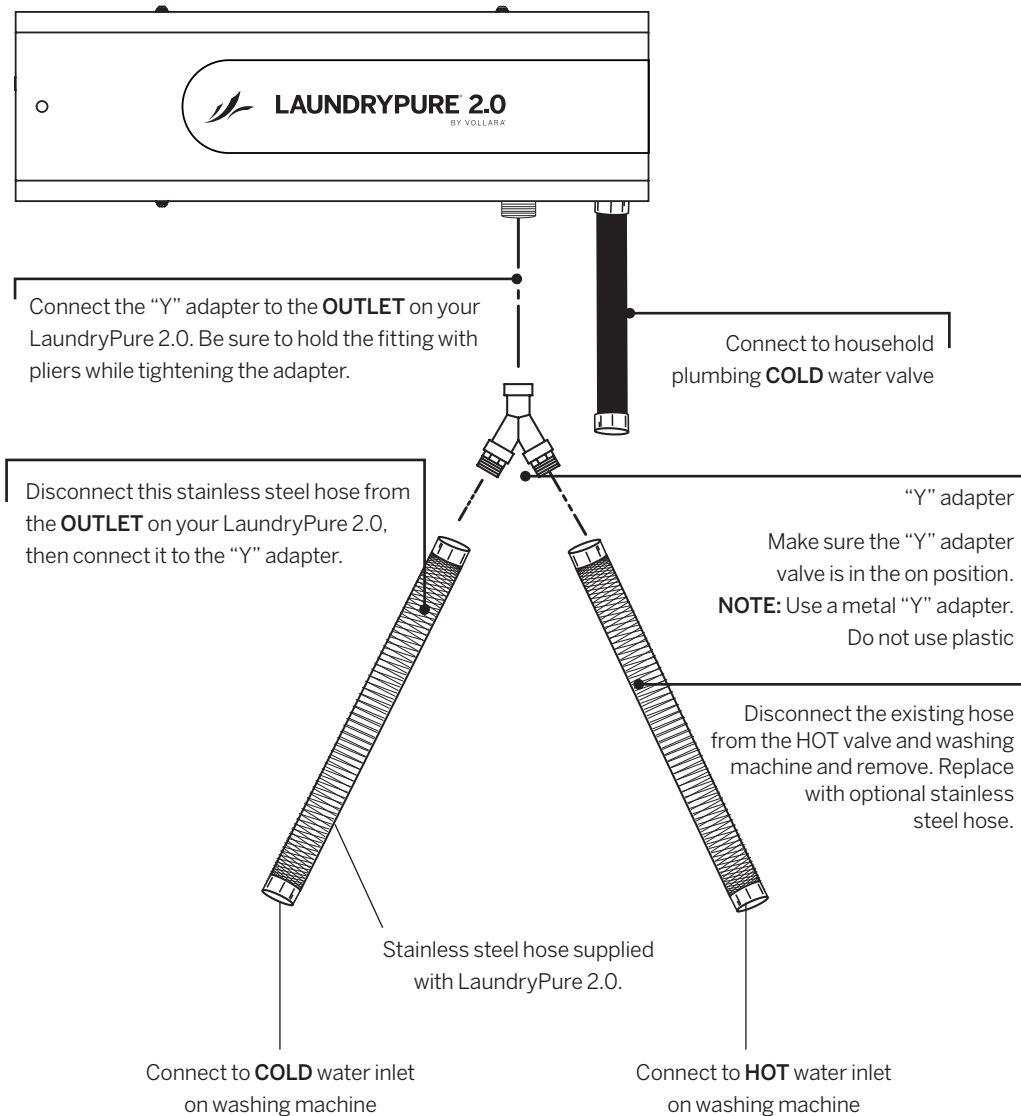


- Turn off both water valves (hot and cold) before disconnecting hoses; Failure to follow these instructions may result in water leakage and/or possible injury from hot water.
- When connecting hoses to your LaundryPure 2.0 hand start the hose connector(s); using adjustable pliers, finish tightening hose connector(s)

Some washing machine models require water pressure to both the Hot and Cold valves for proper operation. In some cases, if only the COLD water side is connected, the water valve will not operate or the washing machine will not fill to the proper level. To solve this problem, the installation of a "Y" adapter (available at most hardware stores) may be used. The use of the "Y" adapter allows water to flow equally through both the HOT and COLD water valves. Optional stainless steel hose must be installed on the hot water connection. To Install, turn water off at the valves and disconnect the existing HOT water hose (at the valve and washing machine). Connect the "Y" adapter to the outlet on your LaundryPure 2.0, then connect both the optional stainless steel hose and Cold hose from your washer to the "Y" adapter (see diagram below). Operate your washer on the WARM/WARM setting (your LaundryPure 2.0 will still be using just cold water).

NOTE: Your hot source water valve will not have a hose connected to it. Make sure it is fully turned off. It is recommended you secure a cap (available at most home improvement stores) to prevent leakage.

NOTE: The "Y" adapter needs to be purchased locally. Use only a metal adapter. **DO NOT** use plastic.



TEMPERATURE CONTROLLING WATER VALVES

Some washers monitor the incoming cold water temperature and adjust too cold of water by adding hot water, even if the water temperature is set to cold. If you have one of these washers, do not install with the “Y” adapter as it may cause the washer to not operate correctly. Consult your washing machine owner’s manual if needed.

EXTERNAL WATER TAP (AVAILABLE SEPARATELY)

An optional LaundryPure 2.0 water tap allows you to run water with hydrogen and oxygen based oxidizers for cleaning surfaces, without the cost or chemical irritants found in most traditional cleaning products.

STATUS INDICATIONS

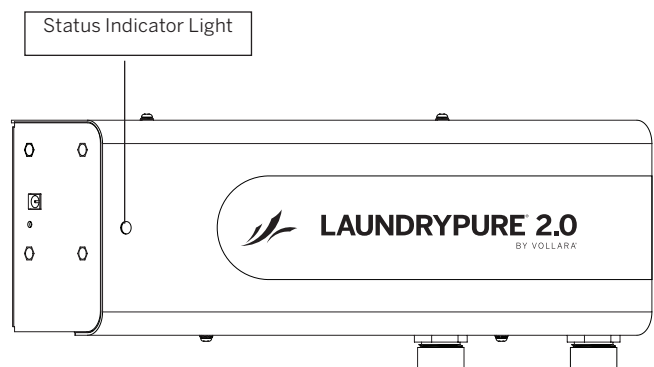
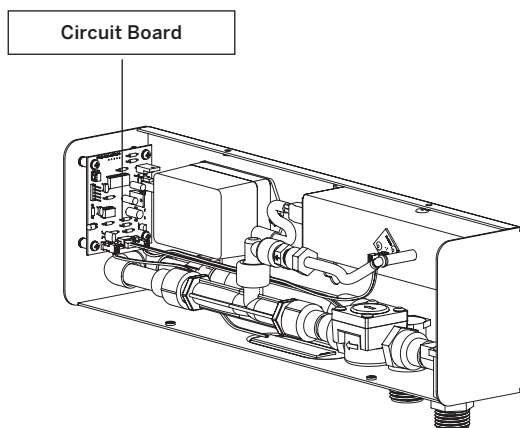


WARNING

- **Electrical Shock Hazard; disconnect power before attempting installation or service**
- **Electrical Shock Hazard; when working with electrical connections, the appliance and surrounding area should be clean and dry of any standing water; failure to follow these instructions can result in death, fire, or electrical shock**
- **Do not operate LaundryPure 2.0 with the front cover removed or improperly installed; failure to follow these instructions can result in severe eye damage, death, or electrical shock**

The LaundryPure 2.0 monitors its operations with a blue LED indicator:

- **Unit on** = LED on steadily. (“unit on” means whenever water is flowing through the unit).
- **ActivePure Cell Assembly replacement upcoming** (@ approx. 7500 hours) = periodic brief LED flash (visual chirp) when unit is off, but goes to steady on when water is flowing through the unit.
- **ActivePure Cell Assembly replacement required** (@ approx. 9000 hours) = periodic brief LED flash (visual chirp) whether unit is off or on. UV bulb will **NOT** be turned on again until cell is replaced.
- **UV bulb failure** = periodic brief LED flash (visual chirp) – same as ActivePure Cell Assembly replacement required above.
- **ActivePure Cell Assembly replacement:** When replacing the ActivePure Cell Assembly, there is a switch on the main circuit board which must be pressed. When this happens, the LED will blink 3 times (longer than the brief “chirp” flashes above) and then shut off. This indicates that the ActivePure Cell Assembly timer has been reset to 0. Pressing the button at any time before the 7500 hour mark ***or*** before a bulb failure has been detected will **NOT** reset the timer.
- **Leak Alarm:** LED will flash in conjunction with alarm beeping. If this occurs, please contact Customer Service at 800.989.2299 for assistance.



FREQUENTLY ASKED QUESTIONS



We strongly recommend that a licensed plumber installs the LaundryPure 2.0.

Does LaundryPure 2.0 get out tough stains without pretreating? Tough stains will still require pretreatment.

Does the LaundryPure 2.0 work with all types of water including hard water? LaundryPure 2.0 will work with all household water qualities, however additional sediment pre-filtering may be necessary depending on the source water condition.

NOTE: Never use with a carbon filter.

Will the LaundryPure 2.0 work with commercial washing machines? LaundryPure 2.0 is designed for residential use only.

Is a plumber required to install LaundryPure 2.0?

We strongly recommend that a licensed plumber install the LaundryPure 2.0. Water pressure **MUST** be checked and within stated specs before installation. If water pressure is greater than 60 psi, Water Pressure Reducer **MUST** be used (sold separately). It should be noted there are potential problems which can arise during the installation depending on the condition of the plumbing in the home and the configuration and location of the washer. If the cold water valve is stuck or the washing machine needs to be moved back which may require re-leveling, a plumber may be required. **Vollara is not liable for improper installation or damage caused from improper installation and recommends a licensed plumber.** Appropriate warnings and concerns are included in this owner's manual. Always follow local plumbing codes when installing the LaundryPure 2.0.

Can I hook the LaundryPure 2.0 unit up to things other than a washing machine? No. However, Vollara has an optional ActiveClean Port kit you can install on the LaundryPure 2.0 to create water with oxygen based oxidizers for other cleaning uses (see page 12).

What effect does LaundryPure 2.0 have on elastic?

Normal operation of a LaundryPure 2.0 unit should have no negative impact on elastic in clothing.

Can I let my clothes soak?

It is not recommended that clothes are allowed to soak in LaundryPure 2.0 water.

INSTALLATION PROBLEMS?

Installation procedures can vary according to washing machine model. If you experience installation problems, read the manual first to make sure you have installed the unit correctly. Call Customer Service at 800.989.2299 for more information.

**For installation or troubleshooting contact your independent Vollara Business Owner
or Vollara Customer Service for further assistance at 800.989.2299
or email customerservice@vollara.com.**

TROUBLESHOOTING

LAUNDRY TOPICS:

LED	Illumination State	Condition	Solution
Blue	Steady on	Normal operation	Unit is operating normally.
Blue	2 Flashes (flash, flash - 2 sec pause, flash, flash - 2 sec pause.....)	UV bulb start up failure	<ol style="list-style-type: none"> 1. Press and hold the reset button for a couple seconds. When the blue LED flashes 3 times (long flashes), run the unit to verify it's working. 2. If #1 did not correct the problem, replace the ActivePure® Cell Assembly
Blue(*)	1 Flash (flash - 2 sec pause, flash - 2 sec pause.....)	Flashes only when water <u>IS NOT</u> flowing	Unit is working normally however, this indicates it is time to change the ActivePure Cell Assembly. The blue LED will continue to flash until the ActivePure® Cell Assembly has been replaced.
Blue(*)	1 Flash (flash - 2 sec pause, flash - 2 sec pause.....)	Flashes continuously whether water is flowing or not.	The unit has shut down as the ActivePure Cell Assembly has reached its end of life. The ActivePure® Cell Assembly <u>MUST</u> be changed to continue using the laundry unit.
Blue	Flashing w/ alarm	Leak, high humidity, condensation or false indicator due to electrical noise in line	<p>Visible leak – Repair as needed.</p> <p>No Visible leak – (a) Check for condensation build up on LP piping due to cold water temp and excessive heat in the area or excessive humidity. (b) Try unplugging the unit for 10 seconds to see if the condition is corrected. (c) Verify dryer is vented to the outside. (d) Make sure the sensor is completely dry.</p> <p>Noise in the electrical lines – The microprocessor mistakes electrical noise for leak.</p>

Issue	Common Cause	Solution
Washer not filling, ERR code	Washer has cold water temp sensor	Make sure hot water hose is connected and fully on.
	Extra HE washer	Use "Y" connector on washer. Temp setting to warm.
	Kinked hose or water tap not fully open	Make sure the hoses are not bent or kinked. Verify cold water tap is fully open.
	Dynamic water pressure less than 20 psi	Connect to a water source with a dynamic water PSI greater than 20.
Odors	Source water conditions. Conditions can change throughout the year. Wells without chlorine can grow odor causing bacteria in the water.	Adding the Pre-filter can help in many cases.
	Mold / Mildew / Bacteria growth or stagnant water in washer – Front load machine worse than top loader but affects both.	At least monthly run a commercially available washer cleaner through the washer.
Clothes not clean	Overloading	Reduce the amount of clothing in the washer.
	Incorrect water level or wash cycle	Adjust to proper setting for amount and soil condition of clothing.
	Heavy soiled clothing	Add a small amount of detergent to wash.
	Source water pollutants	Adding the Pre-filter can help in many cases.

TROUBLESHOOTING (CONTINUED)

The LaundryPure 2.0 System does not release into the water any type of harmful chemicals or agents that will harm clothes, the washer, or the environment. The tables below are answers to common laundry questions compiled by the washing machine manufacturers.

Issue	Common Cause	Solution
White/Dark spots or stains	Grease from agitator bearing or seal	Grease from top load agitators can leak and deposit on clothing during wash. Older machines are more prone to this due to age.
	Fabric softener	Fabric softeners, the will leave a greasy stain if it comes into contact with clothing before FULLY diluted in water. Never pour directly on clothing.
	Iron, Magnesium in the source water	Minerals can cause clothes to stain. The LP Pre-filter may help for excessive minerals.
	Perfume or body spray/ lotion	Perfumes, body sprays or lotions contain chemicals that can cause stains.
	Overloaded	Reduce the amount of clothes being washed.
	Oils from rags or towels used to clean up spills	Wash separately. Make sure no oily residue is left in the washer as this will get on clothes in the next load.
	Filter on washer needs cleaned and/or replaced	Some washers contain water filters that need regular maintenance. If applicable, make sure the filter is clean or replace as needed. Contaminates from the filter have been known to leach out and stain clothing.
	Low water	Adjust the water level.
	Excessive chlorine in source water	Adding the LP Pre-filter can help remove excessive chlorine from the source water.
	Dried detergent in washer coming off	Detergents can dry inside the washer. On the drum, under the agitator, between the inner and outer drum. When this dried detergent breaks free and contacts clothing, staining can occur.
White clothing turning grey over time	Mixing of colors	Whites should never be washed with other colors. Even light-colored clothing can transfer dyes, which will cause whites to grey.
	Bleach	If the source water is hard, bleach can react with some minerals in the water.
	Contaminates in water	Well water is more prone to issues than city water as it's not treated or regulated. Installing a LP Pre-filter can help with some source water issues.
	Overloading the washer	Front load washers are especially susceptible since they only use a small amount of water. Reduce the amount of clothing in the washer.
Holes in clothing after wash	Chemicals (Bleach)	Do not permit clothing to come into contact with bleaching or other harsh chemicals.
	Other clothing – contact with zippers, exposed underwire, objects not removed from clothing, etc.	Remove objects from clothing before wash.
	Mechanical – getting caught in the gap between the drum and door seal. Damaged inner tub surface.	This may require a washer repair service call to correct.

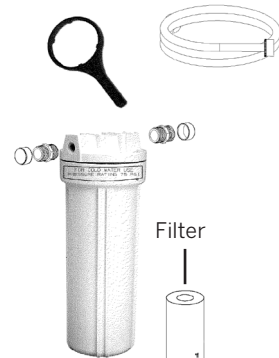
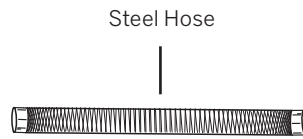
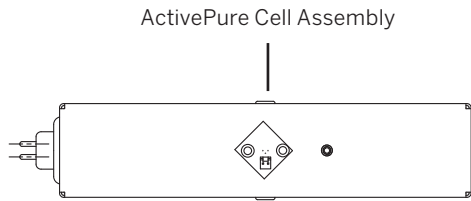
REPLACEMENT PARTS & SERVICE



WARNING

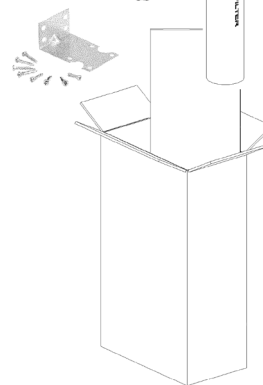
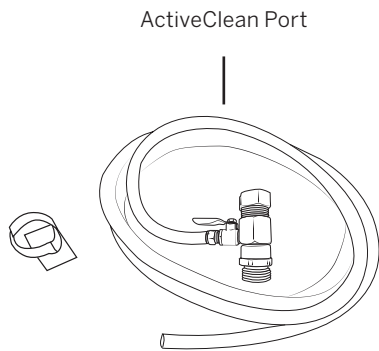
Use only replacement parts recommended by the manufacturer.

REPLACEMENT PARTS	PART NUMBER
ActivePure® Cell Assembly.	49919
Steel Hose	US70980
LaundryPure Optional ActiveClean Port	9950107
LaundryPure Pre-Filter Kit	US40440
LaundryPure Replacement Pre-filter	US70997



Pre-Filter Kit

- Items included:**
- High Purity HSG.
 - Filter HSG. W/SCR
 - Registration Card
 - Instruction Sheet
 - Water Filter
 - Nylon Adaptor 3/4 MPT - 3/4 MHT
 - Water Connector Pack Cover
 - Carton
 - Corner Insert
 - Warning Label
 - Tape
 - Loctite #8702
 - Stainless Steel Hose
 - Filter Wrench
 - Bar Code Stock Label



To order replacement parts, contact your independent Vollara Business Owner or Vollara Customer Service for further assistance at 800.989.2299 or email customerservice@vollara.com.

WARRANTY INFORMATION

Limit Three (3) Year Warranty

To register your LaundryPure 2.0 unit, visit vollaraintl.com/vollara/warrantyregistration.aspx.

Customer should not repackage and ship the LaundryPure 2.0 unit because irreparable damage can occur. For warranty service, please contact Customer Service at 800.989.2299.

WHAT IS COVERED BY THIS WARRANTY

We warrant the LaundryPure 2.0 to the consumer, subject to the conditions below, against defects in workmanship or material, provided that the products are returned to your distributor within the following time periods:

- LaundryPure 2.0 within 3 years of date of purchase
- ActivePure Cell Assembly within 12 months of date of purchase

INSTALLATION AND MAINTENANCE REQUIREMENTS

This warranty is expressly conditioned upon the following installation and maintenance requirements: (i) the LaundryPure 2.0 must be installed, used & maintained in accordance with the Owner's Manual; and (ii) all hoses must be replaced at the intervals prescribed in the Owner's Manual (proof of hose change may be required). Failure to meet any of these requirements will void this warranty. Servicing your LaundryPure 2.0 by parties other than an authorized representative and/or using parts other than genuine parts will also void this warranty.

HOW TO OBTAIN WARRANTY SERVICE

Customers must contact their distributor or Customer Service and provide proof of purchase within the above time periods. We will repair or replace and return the product, without charge and within a reasonable period of time, subject to the conditions in the above paragraphs, if its examination shall disclose any part to be defective in workmanship or material. If we, in our discretion, are unable to repair the product after a reasonable number of attempts, we will provide either a refund of the purchase price or a replacement unit, at the company's option.

WHAT IS NOT COVERED BY THIS WARRANTY

This product is intended for household use only and only for use with municipal water systems. Ordinary wear and tear shall not be considered a defect in workmanship or material. These warranties do not apply to filters nor for loss or damage caused by accident, fire, abuse, misuse, improper installation, excessive water pressure, leaking, modification, misapplication, commercial use, or by any repairs other than those provided by an authorized representative. This warranty does not cover any water damage.

EXCLUSION OF OTHER WARRANTIES AND CONDITIONS

EXCEPT AS PROVIDED HEREIN, VOLLARA MAKES NO REPRESENTATION OR WARRANTY OF ANY KIND. ALL OTHER WARRANTIES OF ANY KIND, EXPRESS OR IMPLIED, ARE HEREBY EXPRESSLY DISCLAIMED, INCLUDING ANY IMPLIED WARRANTY OF MERCHANTABILITY OR FITNESS FOR A PARTICULAR PURPOSE.

UNAUTHORIZED CHANNELS & MISSING SERIAL NUMBERS

Our products are authorized for sale through Authorized Representatives only. All warranties are void if a product is purchased through unauthorized channels. We will not extend warranty coverage on any product sold in a manner that violates our Internet advertising

policies and guidelines. This includes websites that are not authorized to use our trademarked names, images and logos, as well as Internet auction sites. These websites would include ebay® and Craigslist®. If a valid serial number is missing from the product, the warranty will be voided. To confirm warranty coverage prior to purchasing a product, contact Customer Service.

LIMITATION OF LIABILITY FOR SPECIAL, INCIDENTAL OR CONSEQUENTIAL DAMAGES

VOLLARA SHALL NOT IN ANY CASE BE LIABLE FOR SPECIAL, INCIDENTAL OR CONSEQUENTIAL DAMAGES ARISING FROM BREACH OF EXPRESSED OR IMPLIED WARRANTIES, CONDITIONS, GUARANTEES OR REPRESENTATIONS, BREACH OF CONTRACT, NEGLIGENCE OR ANY OTHER LEGAL THEORY. Such excluded damages include, but are not limited to, loss of profits or revenue, loss of the use of the products, and any loss caused by leaks or other water damage.

FOR U.S. APPLICATION ONLY

This warranty gives you specific legal rights, and you may also have other rights which vary from state to state. Some states do not allow limitations on warranties, or on remedies for breach. In such states, the above limitations may not apply to you.

FOR CANADIAN APPLICATION ONLY

Exclusion of Subsequent Owners: Except as otherwise required by applicable legislation, this warranty is not transferable. This warranty gives you specific legal rights and you may also have other rights which vary from province to province. Some provinces and territories do not allow limitations on warranties, or on remedies for breach. In such provinces or territories, the above limitations may not apply to you.

If any provision of this warranty or part thereof is held by a court of competent jurisdiction to be invalid, illegal or unenforceable, the validity, legality and enforceability of the remaining provisions or parts thereof will not in any way be affected or impaired within the jurisdiction of that court. This entire warranty shall continue to be valid, legal and enforceable in any jurisdiction where a similar determination has not been made.

This warranty is provided by:
ActivePure Manufacturing, LLC
1300 Valley Drive,
Bristol, VA 24201

SERVICE

Every effort is made to ensure that customers receive an up-to-date instruction manual on the use of our products; however, from time to time, modifications to our products may without notice make the information contained herein subject to alteration. For the latest information, call customer service at 800.989.2299.

FCC DECLARATION & RESPONSIBLE PARTY

This equipment has been tested and found to comply with the limits for a Class B digital device, pursuant to Part 15 of the FCC Rules. These limits are designed to provide reasonable protection against harmful interference in a residential installation. This equipment generates, uses, and can radiate radio frequency energy, and if not installed and used in accordance with the instructions, may cause harmful interference to radio communications. However, there is no guarantee that interference will not occur in a particular installation. If this equipment does cause harmful interference to radio or television, which can be determined by turning the equipment off and on, the user is encouraged to try to correct the interference by one or more of the following measures:

- Reorient or relocate the receiving antenna.
- Increase the separation between the equipment and receiver.
- Connect the equipment into an outlet on a circuit different from that to which the receiver is connected.
- Consult the Independent Contractor for help.

FCC DECLARATION OF CONFORMITY

Name: LaundryPure 2.0

Model: W1017C

Manufactured by: ActivePure Manufacturing, LLC

This device complies with Part 15 of the FCC Rules.


RESPONSIBLE PARTY

ActivePure Manufacturing, LLC

1300 Valley Drive

Bristol, VA 24201

Ph: 800.572.0502

Signature: 

Printed Name: Andrew Eide

Title: Vice President of Product Development
and Manufacturing

Date: 05/02/23



For information regarding the use of this product please contact your
Vollara Independent Business Owner or Customer Service at **800.989.2299**
or email **customerservice@vollara.com**.

Vollara.com

vollara®

LAUNDRY PURE^{2.0}



SYSTÈME DE LESSIVE À EAU FROIDE

LIRE ATTENTIVEMENT LE MANUEL AFIN
D'UTILISER CORRECTEMENT L'APPAREIL
ET D'ASSURER SON FONCTIONNEMENT OPTIMAL.



INFORMATIONS GÉNÉRALES

DESCRIPTION DU PRODUIT

Le dispositif LaundryPure 2.0 est conçu pour fonctionner en conjonction avec votre machine à laver, et permet de laver du linge à l'eau froide grâce à notre technologie exclusive ActivePure®. Lorsque votre machine à laver commence à se remplir, le LaundryPure 2.0 se met en marche. Le dispositif LaundryPure 2.0 est équipé d'un capteur de fuite interne.

Le LaundryPure 2.0 allie la puissance de notre technologie ActivePure® brevetée à l'action nettoyante de l'eau, avec ses molécules d'hydrogène et d'oxygène, pour séparer la saleté et les impuretés des fibres et éviter le développement de bactéries malodorantes. Le LaundryPure 2.0 est un système de lessive à eau froide extrêmement efficace pour usage domestique.

Le LaundryPure 2.0 est conçu pour les machines à laver à usage domestique et peut être utilisé par toute personne intéressée par une alternative économique aux détergents et produits chimiques classiques actuellement disponibles.

Le LaundryPure 2.0 utilise une variante de la technologie initialement développée pour une utilisation à bord de la Station spatiale internationale et offre une Certified Space Technology exclusive reconnue par l'Agence spatiale.

TABLE DES MATIÈRES

Description du produit	22
Spécifications	22
Stockage et mise au rebut	22
Consignes de sécurité	23
Exigences liées à l'installation	24
Avant de commencer	25
Retirer le couvercle	25
Installation des ancrages muraux ou des vis de support	26
Remettre le couvercle en place	27
Installation des tuyaux	27
Branchement de l'adaptateur électrique	28
Mise en place du système	29
Remplacement Assemblage de la cellule ActivePure	30
Avant de nettoyer votre linge	31
Utilisation du LaundryPure 2.0	31
Pour les machines à laver qui utilisent une entrée d'eau chaude et une entrée d'eau froide	32
Robinet de régulation de température	33
Robinet externe (Disponible Séparément)	33
Indicateurs de panne	33
Foire aux questions	34
Des problèmes d'installation?	34
Dépannage	35
Pièces de rechange et réparation	37
Informations de garantie	38
Déclaration FCC et partie responsable	39

À REMPLIR ET À CONSERVER

Veuillez renseigner le formulaire ci-dessous concernant votre nouveau LaundryPure 2.0, et conserver ces informations pour toute référence ultérieure.

Modèle no _____
Numéro de série. _____
Date d'achat _____
Distributeur indépendant Vollara:
Nom _____
Téléphone _____
Adresse _____

SPÉCIFICATIONS

LaundryPure 2.0

- Numéro de modèle: W1017C
- Numéro de commande: 9970022

Technologie:

- ActivePure® Technology

Données électriques:

- Consommation énergétique : 0,4 W CA (en veille)
1,3 W CA (en fonctionnement)
- Alimentation électrique (entrée) : 100-240 V ~ 50/60 Hz
0,45 A
- Alimentation électrique (sortie) : DC sortie; 12 V 2,5 A

Eau:

- **Pression : 20 psi (minimum) à 60 psi/1,37 à 4,13 bars**
- Température : eau froide uniquement

Operating:

- Température : 50 °F à 100 °F (10 °C à 37,8 °C)
- Humidité : 40 % - 85 %

Poids et dimensions:

- 4.3 lbs (1,95 kg)
- 5,19" H x 17,3" W x 3,69" D
(13,48 cm x 43,94 cm x 9,37 cm)

Garantie:

- Garantie limitée de trois (3) ans

Nous nous réservons le droit de modifier toute spécification sans avertissement préalable.

STOCKAGE ET MISE AU REBUT

Ne pas jeter ce produit avec les ordures ménagères. Les déchets électriques et les produits électroniques doivent être recyclés de manière appropriée, conformément aux pratiques établies par les autorités locales.



CONSIGNES DE SÉCURITÉ



**MISE EN
GARDE**

- L'ensemble du câblage doit être effectué conformément au National Electrical Code ANSI/FNPA, No. 70, selon la dernière version des codes et règlements locaux aux États-Unis. Pour les codes de l'électricité à l'extérieur des États-Unis, consultez votre agence de réglementation locale afin de connaître les derniers codes et règlements. Le propriétaire de l'appareil a la responsabilité personnelle et l'obligation de fournir une alimentation électrique adéquate au dispositif
- Risque d'électrocution. Le non-respect des instructions vous expose à un danger de mort ou à un risque de blessure grave.



ATTENTION

- Il est fortement recommandé de recourir aux services d'un plombier certifié pour effectuer l'installation du LaundryPure 2.0
- La pression de l'eau DOIT être vérifiée et conforme aux spécifications indiquées avant l'installation
- Si la pression de l'eau est supérieure à 60 psi, vous DEVEZ utiliser un réducteur de pression d'eau (vendu séparément)
- L'eau traitée par votre dispositif LaundryPure 2.0 est uniquement destinée au nettoyage de vos vêtements et n'est approuvée pour AUCUN TYPE de consommation interne (boire, se baigner, se brosser les dents, etc.). Il ne faut PAS boire, ingérer ou consommer l'eau provenant de votre dispositif LaundryPure 2.0 ou de votre machine à laver. NE donnez PAS l'eau provenant de votre dispositif LaundryPure 2.0 à vos animaux de compagnie.
- Votre dispositif ou la zone environnante peuvent être endommagés si vous ne suivez pas entièrement les instructions

Veillez lire ce manuel dans son intégralité avant d'utiliser votre appareil LaundryPure 2.0.

Tenir hors de la portée des enfants.

- Utiliser à l'intérieur seulement
- La pression de l'eau DOIT être vérifiée et conforme aux spécifications indiquées avant l'installation
- Si la pression de l'eau est supérieure à 60 psi, vous DEVEZ utiliser un réducteur de pression d'eau (vendu séparément)
- **NE PAS** utiliser l'appareil sans le couvercle en place
- Débrancher l'alimentation électrique avant de procéder à l'entretien
- **NE PAS** utiliser de rallonge électrique ou tout autre adaptateur avec cet appareil
- Il n'est pas recommandé d'utiliser cet appareil avec de l'eau ayant des taux élevés de sédiments; si votre eau contient des taux élevés de sédiments, consultez un expert en filtration de l'eau pour en savoir plus sur les options disponibles
- La pression dynamique maximale de l'arrivée d'eau est de 60 psi
- Utilisez le tuyau neuf fourni avec l'unité pour raccorder le LaundryPure 2.0 à votre machine à laver; vous devez également remplacer tout tuyau de machine à laver datant de plus de trois ans
- Ne nettoyez pas votre LaundryPure 2.0 avec des produits chimiques corrosifs, des abrasifs ou des détergents; pour le nettoyer, utilisez un linge doux humidifié avec de l'eau
- Le dispositif LaundryPure 2.0 est uniquement destiné à un usage résidentiel normal; l'utilisation de l'appareil dans un lieu commercial ou non résidentiel, ou avec une laveuse non résidentielle, annulera votre garantie

REMARQUE: Votre dispositif LaundryPure 2.0 a été contrôlé à l'usine. Il est normal qu'une faible quantité d'eau résiduelle se trouve à l'intérieur de l'appareil : elle est due aux contrôles en question.

CONSERVER CES CONSIGNES

EXIGENCES LIÉES À L'INSTALLATION



MISE EN GARDE

- Ne jamais utiliser de rallonge électrique



ATTENTION

- Il est fortement recommandé de recourir aux services d'un plombier certifié pour effectuer l'installation du LaundryPure 2.0.
- La pression de l'eau DOIT être vérifiée et conforme aux spécifications indiquées avant l'installation
- Si la pression de l'eau est supérieure à 60 psi, vous DEVEZ utiliser un réducteur de pression d'eau (vendu séparément)
- La pression d'entrée de l'eau doit être supérieure à 20 psi/1,37 bar. Si votre pression d'eau est supérieure à 60 psi/4,13 bars, **vous devez installer un réducteur de pression en ligne avant l'installation du système LaundryPure 2.0.** Le non-respect de ces instructions peut entraîner des fuites d'eau, des dommages matériels ou des blessures corporelles, et annuler votre garantie. Une pression d'eau comprise entre 20 psi/1,37 bar et 60 psi/4,13 bars est nécessaire pour que votre LaundryPure 2.0 fonctionne correctement. Une pression d'eau trop basse peut empêcher l'appareil de fonctionner correctement et/ou causer une défaillance de la vanne d'entrée de votre machine à laver.
- Le robinet de votre machine à laver peut également ne pas se refermer complètement. Consultez la documentation fournie avec votre machine à laver afin d'obtenir de plus amples spécifications. Votre machine à laver ainsi que le robinet d'eau froide doivent se trouver à moins de 122 cm du côté droit de l'appareil afin de permettre l'utilisation du flexible d'arrivée fourni avec votre LaundryPure 2.0.
- **AFIN D'ÉVITER TOUT DÉGÂT CAUSÉ PAR L'EAU ET PROVOQUÉ PAR LA FUITE D'UN FLEXIBLE, VEILLEZ À CE QUE LES ROBINETS SOIENT ACCESSIBLES ET FERMEZ-LES LORSQUE LA MACHINE À LAVER N'EST PAS UTILISÉE. NE PAS UTILISER AVEC UN FILTRE À CHARBON.**

EXIGENCES ÉLECTRIQUES

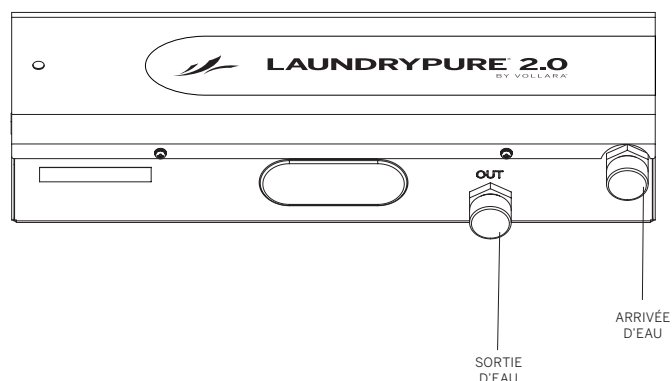
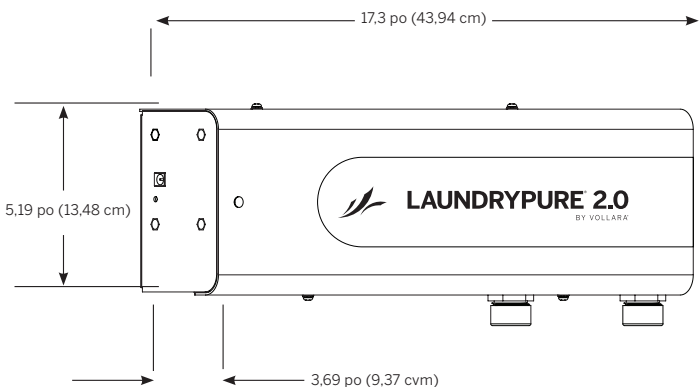
Fusible ou disjoncteur de 100 - 240 V 50/60 Hz 0.45 A (minimum). Le LaundryPure 2.0 est équipé d'une alimentation électrique CA vers CC.

EXIGENCES EN MATIÈRE D'EAU

Une pression d'eau dynamique comprise entre 20 psi/1,37 bar et 60 psi/4,13 bar est nécessaire pour que votre LaundryPure 2.0 fonctionne correctement. Voir les Avertissements ci-dessous.

CONSIDÉRATIONS LOCALES

Le LaundryPure 2.0 ne doit jamais être installé là où l'eau risque de geler, car l'appareil contiendra toujours de l'eau dans le boîtier, les robinets et les flexibles. Cela pourrait endommager les composants internes. Il est également recommandé d'éviter l'installation dans des zones soumises à une humidité élevée car le fonctionnement de l'appareil pourrait en être affecté.



AVANT DE COMMENCER

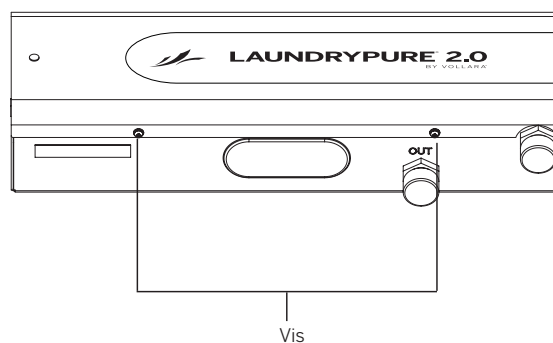


Votre dispositif LaundryPure 2.0 a été contrôlé à l'usine. Il est normal qu'une faible quantité d'eau résiduelle se trouve à l'intérieur de l'appareil : elle est due aux contrôles en question.

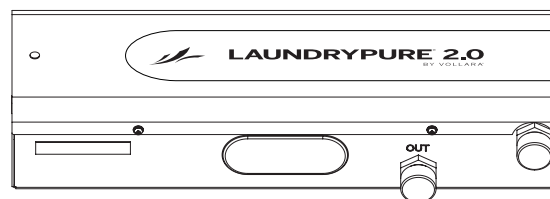
- Retirez votre nouveau dispositif LaundryPure 2.0 de son emballage
- Inspectez l'appareil à la recherche du moindre signe de dommage dû au transport

RETIRER LE COUVERCLE

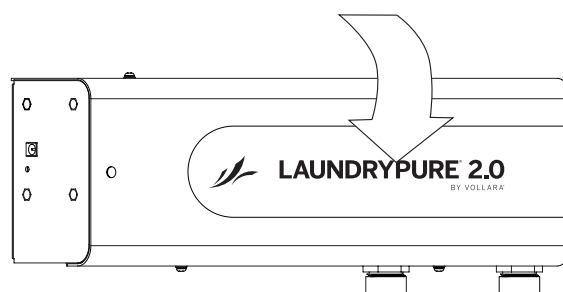
1. Retirez les deux (2) vis du couvercle situées au bas de l'appareil.



2. Retirez les deux (2) vis (non indiquées) situées sur la partie supérieure du LaundryPure 2.0.



3. Pour retirer le couvercle, tirez sur la partie supérieure de l'appareil et soulevez le couvercle.



INSTALLATION DES ANCRAGES MURAUX OU DES VIS DE SUPPORT

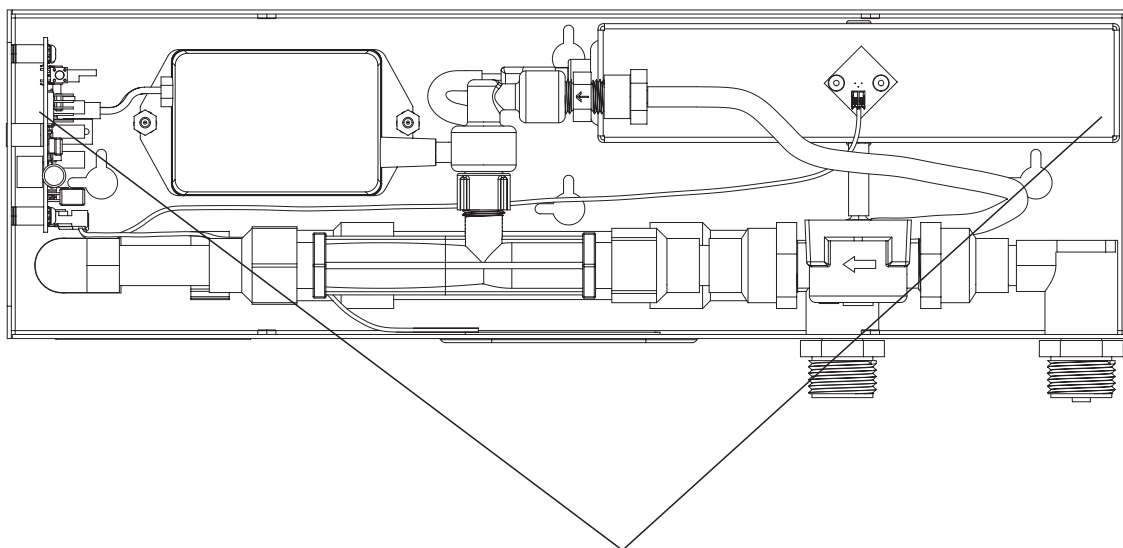
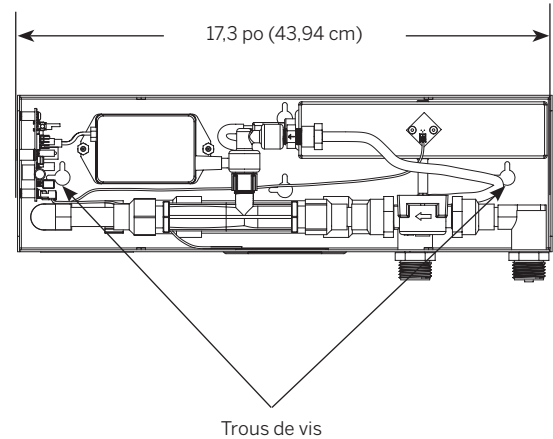
1. Positionnez le LaundryPure 2.0 contre le mur et marquez les trous à utiliser avec un crayon.

REMARQUE : La machine à laver et le robinet d'eau froide doivent se trouver à moins de 1,21 m du côté droit de l'appareil.

- A. En cas d'utilisation des supports muraux fournis, forez deux trous d'un diamètre de 3/16 po (4,76 mm). Placez deux supports muraux sur le mur. Installez les deux vis fournies et vissez presque jusqu'au bout.
- B. En cas de montage sur un mur à claire-voie, forez deux trous d'un diamètre de 3/32 po (2,381 mm) et de 25,4 mm de profondeur environ. Installez les deux vis fournies et vissez presque jusqu'au bout.

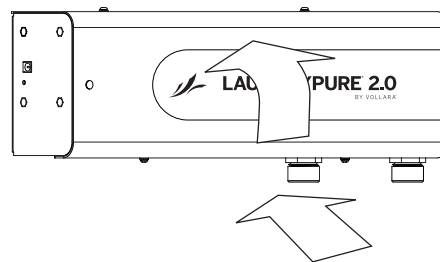
REMARQUE : La trousse de quincaillerie fournie contient des pièces d'écartement en caoutchouc à endos adhésif, à placer à l'arrière de l'unité afin d'assurer un dégagement supplémentaire par rapport au mur, si nécessaire, pour l'installation des tuyaux ou l'utilisation du port ActiveClean (page 30).

2. Positionnez les trous de fixation du LaundryPure 2.0 sur les vis (non illustrées). Terminez le serrage des vis, en serrant suffisamment pour monter solidement l'unité au mur, mais également de manière à pouvoir la détacher du mur. Retirez l'unité du mur.

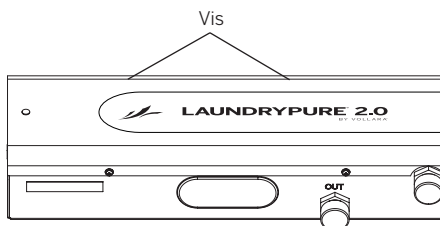


REMETTRE LE COUVERCLE EN PLACE

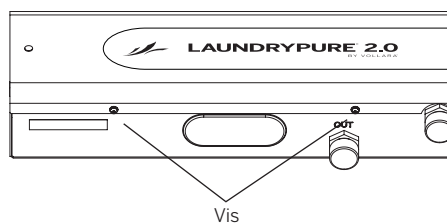
1. Remettez le couvercle du LaundryPure 2.0 dans sa position originale, en mettant le bas de l'appareil en place puis en le basculant vers le haut.



2. Fixez-le à l'aide de deux (2) vis (non indiquées) le long de la partie supérieure.



3. Placez les deux (2) vis restantes le long de la partie inférieure et serrez.



REMARQUE : Pour faciliter l'installation et éviter les enchevêtrements, connectez les tuyaux à l'appareil avant de le fixer au mur.

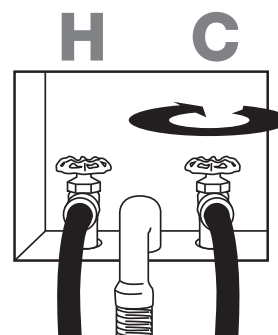
INSTALLATION DES TUYAUX



ATTENTION

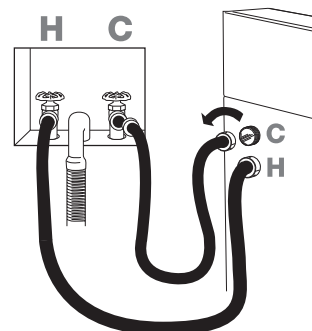
- Lors du raccordement des flexibles à votre dispositif LaundryPure 2.0, vissez les raccords à la main. À l'aide d'une pince réglable, terminez de serrer les raccords. Ne retirez et ne déconnectez pas la conduite d'eau chaude de votre machine à laver ou du robinet.
- Pour faciliter l'installation et éviter les enchevêtrements, connectez les tuyaux à l'appareil avant de le fixer au mur.

1. Arrêtez l'eau froide en fermant le robinet d'eau froide.



2. Retirez le flexible d'eau froide de l'arrivée d'eau froide située à l'arrière de votre machine à laver. Ne retirez pas le flexible d'eau chaude.

REMARQUE : Pour éviter les jaillissements d'eau lors de la déconnexion des tuyaux, vous pouvez libérer la pression contenue dans la conduite d'eau en démarrant momentanément votre machine à laver.

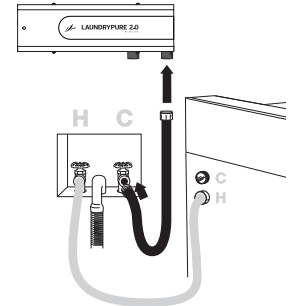


INSTALLATION DES TUYAUX (SUITE)

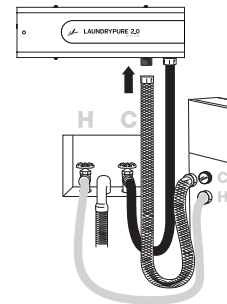


- Si votre tuyau actuel a plus de 3 ans, il est recommandé de le remplacer par le tuyau optionnel en acier inoxydable.
- Pour faciliter l'installation et éviter les enchevêtrements, connectez les tuyaux à l'appareil avant de le fixer au mur.

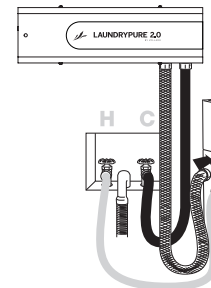
3. Connectez le flexible raccordé à l'arrivée d'eau froide de votre machine à laver à l'orifice INLET [entrée] de votre LaundryPure 2.0.



4. Raccordez le nouveau flexible fourni avec votre LaundryPure 2.0 au raccord OUTLET [sortie] de votre appareil LaundryPure 2.0.



5. Finalement, raccordez le nouveau flexible à l'arrivée d'eau froide de votre machine à laver.



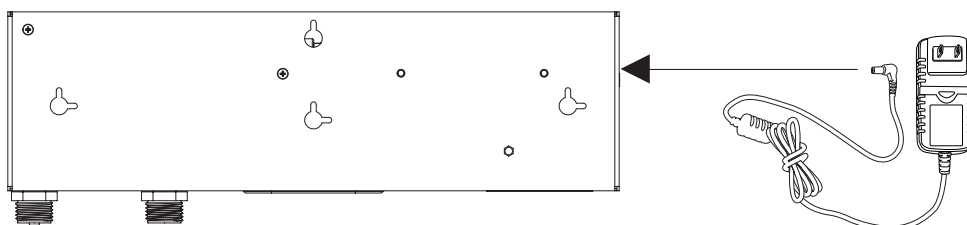
BRANCHEMENT DE L'ADAPTATEUR ÉLECTRIQUE



N'utilisez pas d'adaptateur CA/CC autre que celui fourni avec votre LaundryPure 2.0 ou que l'adaptateur CA/CC de remplacement fourni par Vollara (Article no 49873 – US). Le non-respect des présentes instructions peut annuler votre garantie et/ou endommager votre appareil, provoquer un incendie ou un choc électrique.

1. Insérez le cordon d'alimentation fourni dans la prise POWER IN située à l'arrière de l'appareil.

REMARQUE : Ne branchez pas l'adaptateur électrique dans la prise murale avant que l'installation ne soit achevée. Voir page 27).



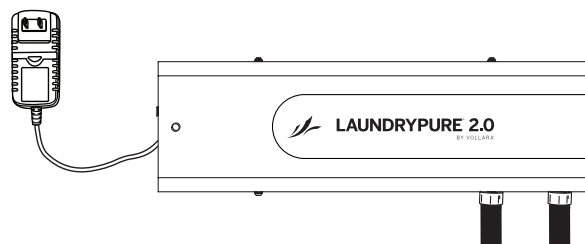
MISE EN PLACE DU SYSTÈME



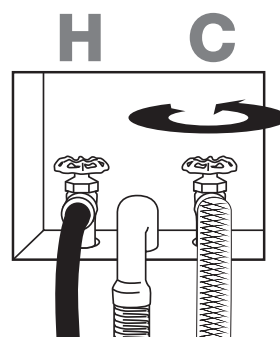
**MISE EN
GARDE**

- Risque d'électrocution. Lorsque vous manipulez des branchements électriques, l'appareil et la zone environnante doivent être propres et secs. Le non-respect des présentes instructions peut provoquer la mort, un incendie ou un choc électrique.
- Risque d'électrocution. N'utilisez pas de rallonge. Le non-respect des présentes instructions peut provoquer la mort, un incendie ou un choc électrique.

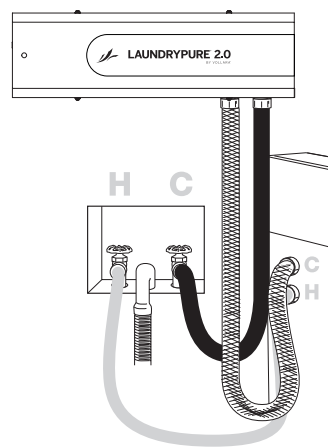
1. Branchez le cordon électrique dans la prise murale de votre système électrique résidentiel. Consultez la page 22 pour les exigences électriques.



2. Ouvrez le robinet d'eau froide.

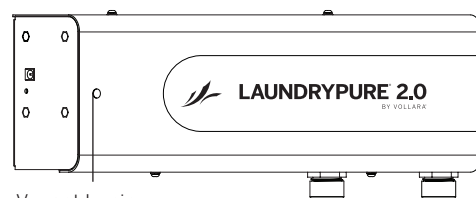


3. Vérifiez tous les flexibles afin de vous assurer qu'il n'y a aucune fuite d'eau. Serrez si nécessaire.



4. Mettez votre machine à laver en marche. Le voyant devrait s'allumer en bleu après quelques secondes.

REMARQUE : Votre appareil LaundryPure 2.0 s'activera et se désactivera automatiquement lorsque votre machine à laver se mettra en route ou lorsqu'elle s'éteindra.



Voyant lumineux

REPLACEMENT ASSEMBLAGE DE LA CELLULE ACTIVEPURE



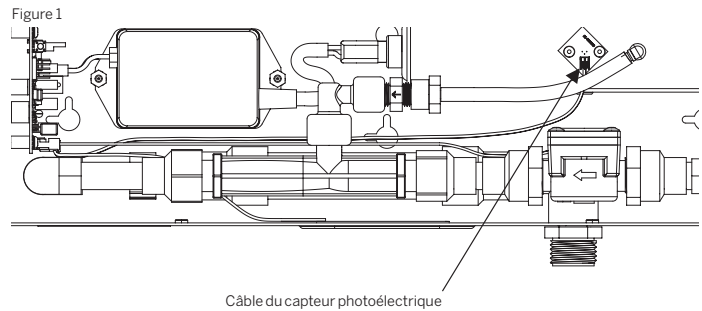
ATTENTION

La Assemblée de la cellule ActivePure doit être remplacée toutes les 9 000 heures d'utilisation environ, ou une fois tous les 12 mois pour conserver la garantie limitée de 3 ans. Le voyant lumineux se met à clignoter (bip visuel) pour avertir l'utilisateur que le remplacement de la cellule doit être effectué. L'ampoule UV ne s'allume PAS tant que la cellule n'a pas été remplacée.

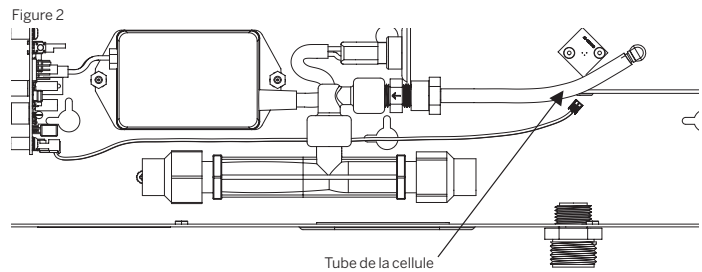
1. Débranchez l'unité de l'alimentation électrique et retirez-la du mur.

2. Retirez le couvercle (voir page 23).

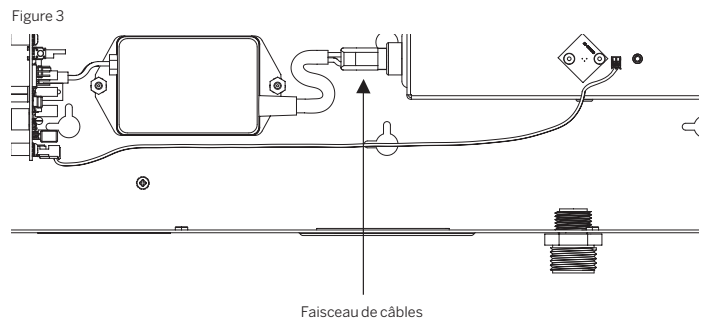
3. Débranchez le câble du capteur photoélectrique (Figure 1).



4. Retirez le tube de la cellule (Figure 2).



5. Débranchez le faisceau de câbles de l'ampoule (Figure 3).



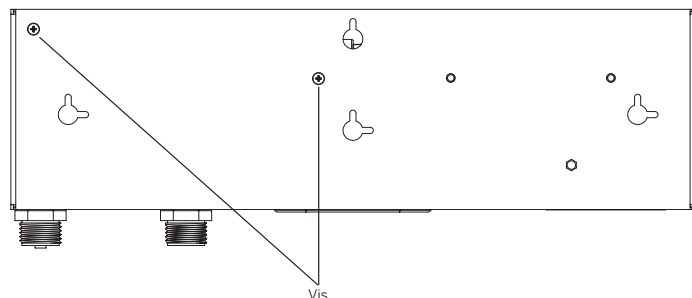
6. Retirez les deux vis pour retirer la cellule (Figure 4).

7. Remplacez par la cellule neuve (No. de série 49919) puis remontez l'ensemble sur sa base.

8. Rebranchez le faisceau électrique à l'ampoule.

9. Réinstallez le tube dans la cellule.

10. Rebranchez le câble du capteur photoélectrique.



11. Remplacez le couvercle (voir page 25).

AVANT DE NETTOYER VOTRE LINGE



Afin d'éviter tout dégât causé par l'eau et provoqué, par la fuite d'un flexible, veillez à ce que les robinets soient accessibles et fermez-les lorsque la machine à laver n'est pas utilisée.

AVANT D'UTILISER VOTRE LAUNDRYPURE 2.0 POUR LA PREMIÈRE FOIS

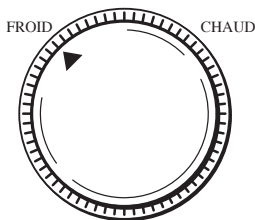
SI VOTRE MACHINE À LAVER EST NEUVE, ignorez ce chapitre et poursuivez avec les instructions ci-dessous.

SI VOTRE MACHINE À LAVER N'EST PAS NEUVE, vous devrez appliquer cette procédure afin d'éliminer toute accumulation de détergent susceptible de contaminer votre linge.

1. Ne mettez aucun vêtement dans la machine à ce moment. Réglez votre machine sur l'option de charge la plus importante, à l'eau froide uniquement.
2. Démarrez la machine et laissez-la parcourir tous les cycles.
3. Une fois qu'elle a terminé, répétez trois fois supplémentaires les étapes 1 et 2. Selon l'âge de votre machine et l'importance de l'accumulation de détergent qu'elle contient, il peut être nécessaire d'effectuer l'étape 3 plusieurs fois.

REMARQUE : Si vous disposez d'une machine à laver à chargement frontal, des odeurs peuvent se développer en raison de l'eau stagnant à l'intérieur. Si une odeur de moisi se développe, il est possible de l'éliminer à l'aide d'un nettoyant disponible dans le commerce et destiné exclusivement aux machines à laver à chargement frontal.

UTILISATION DU LAUNDRYPURE 2.0



FONCTIONNEMENT NORMAL

L'utilisation de votre LaundryPure 2.0 est aussi simple que d'allumer la machine à laver. LaundryPure 2.0 est conçu pour utiliser le réglage EAU FROIDE de votre machine à laver.

DÉTERGENT ET ADOUCISSANT

Vous pouvez décider de continuer à utiliser de la lessive et/ou de l'adoucissant si vous le souhaitez. Néanmoins, afin de bénéficier pleinement des avantages de votre nouveau LaundryPure 2.0, nous vous recommandons de ne procéder au lavage qu'avec de l'eau froide. N'appliquez JAMAIS de détergent directement sur le linge sec. Laissez la machine à laver se remplir et ajoutez ensuite le détergent, afin d'éviter de tacher vos vêtements.

TACHES TENACES

En cas de taches tenaces, traitez la zone au préalable à l'aide d'un détachant, frottez légèrement et laissez reposer plusieurs minutes. Nettoyez ensuite normalement.



POUR LES MACHINES À LAVER QUI UTILISENT UNE ENTRÉE D'EAU CHAUDE ET UNE ENTRÉE D'EAU FROIDE



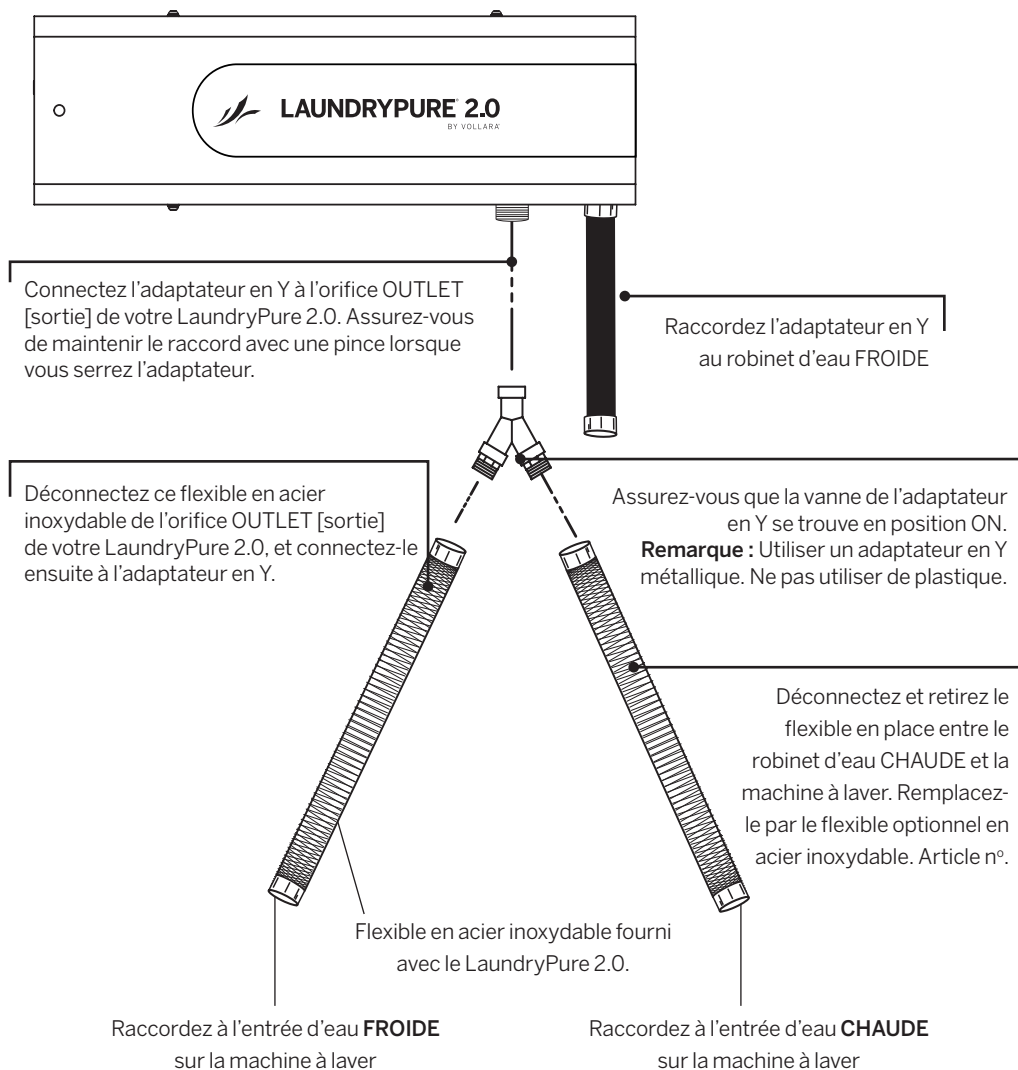
ATTENTION

- Fermez les deux robinets d'eau (froide et chaude) avant de déconnecter les tuyaux. Le non-respect des présentes instructions peut entraîner des fuites d'eau et/ou d'éventuelles blessures dues à l'eau chaude.
- Lors du raccordement des flexibles à votre dispositif LaundryPure 2.0, vissez les raccords à la main. À l'aide d'une pince réglable, terminez de serrer les raccords.

Certains modèles de machines à laver nécessitent une pression d'eau au robinet d'eau chaude et au robinet d'eau froide afin de fonctionner correctement. Dans certains cas, si seul l'approvisionnement en eau FROIDE est raccordé, le robinet ne fonctionnera pas et la machine à laver ne sera pas remplie jusqu'au niveau adéquat. Pour résoudre le problème, il est possible d'installer un adaptateur en Y (disponible dans la majorité des quincailleries). L'utilisation d'un adaptateur en Y permet à l'eau de s'écouler uniformément via les robinets d'eau CHAUDE et FROIDE. Le flexible optionnel en acier inoxydable doit être installé sur le raccord d'eau chaude. Pour procéder à l'installation, coupez l'arrivée d'eau aux robinets et déconnectez le tuyau d'eau CHAUDE en place (au niveau du robinet et sur la machine à laver). Raccordez l'adaptateur en Y à l'orifice OUTLET [sortie] de votre LaundryPure 2.0, et raccordez ensuite le flexible optionnel en acier inoxydable et le tuyau d'eau froide de votre machine à laver à l'adaptateur en Y (voir schéma ci-dessous). Mettez votre machine à laver en marche sur le réglage CHAUD/CHAUD (votre LaundryPure 2.0 utilisera tout de même l'eau froide).

REMARQUE : Votre robinet d'eau chaude ne sera raccordé à aucun flexible. Assurez-vous qu'il est bien fermé. Il est recommandé de le sécuriser à l'aide d'un bouchon (disponible dans la majorité des quincailleries) afin d'éviter toute fuite.

REMARQUE : L'adaptateur en Y doit être acheté localement. Utiliser uniquement un adaptateur en métal. Ne pas utiliser d'adaptateur en plastique.



ROBINETS DE RÉGULATION DE TEMPÉRATURE

Certaines machines à laver contrôlent la température de l'arrivée d'eau froide et régulent l'eau trop froide en ajoutant de l'eau chaude, même lorsque la température de l'eau est réglée pour être froide. Si vous possédez une machine à laver de ce type, n'installez pas l'appareil avec l'adaptateur en Y, qui risquerait d'empêcher la machine à laver de fonctionner correctement. Consultez le manuel d'utilisation de la machine à laver, si nécessaire.

ROBINET EXTERNE (DISPONIBLE SÉPARÉMENT)

Un robinet d'eau pour LaundryPure 2.0 en option vous permet d'avoir une arrivée d'eau contenant des oxydants à base d'hydrogène et d'oxygène pour le nettoyage des surfaces, évitant ainsi les coûts ou les agents chimiques irritants associés à la plupart des produits de nettoyage traditionnels.

INDICATEURS DE PANNE



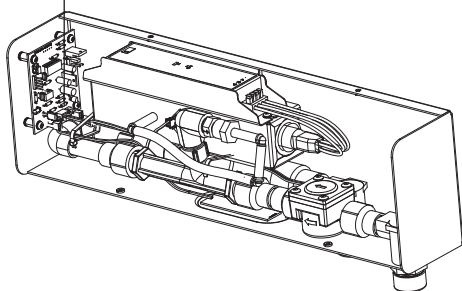
**MISE EN
GARDE**

- **Risque d'électrocution.** Débranchez l'alimentation électrique avant de procéder à l'installation ou à l'entretien.
- **Risque d'électrocution.** Lorsque vous manipulez des branchements électriques, l'appareil et la zone environnante doivent être propres et secs. Le non-respect des présentes instructions peut provoquer la mort, un incendie ou un choc électrique.
- **N'utilisez pas le dispositif LaundryPure 2.0 avec le bouclier anti-UV ou le couvercle détaché ou mal installé.** Le non-respect des présentes instructions peut provoquer des lésions graves au niveau des yeux, la mort ou un choc électrique.

L'état de fonctionnement du LaundryPure 2.0 est indiqué par un voyant lumineux, une DEL de couleur bleue :

- **Unité en marche** = Voyant lumineux allumé et fixe. (L'unité est « en marche » lorsque de l'eau coule dans l'appareil).
- **Remplacement prochain Assemblage de la cellule ActivePure®** (à environ 7500 heures) = Clignotement rapide et intermittent du voyant lumineux (bip visuel) lorsque l'appareil est arrêté; voyant lumineux allumé et fixe lorsque de l'eau coule dans l'unité.
- **Remplacement nécessaire Assemblage de la cellule ActivePure** (à environ 9000 heures) = Clignotement rapide et intermittent du voyant lumineux (bip visuel) que l'appareil soit en marche ou arrêté. L'ampoule UV ne s'allume **PAS** tant que la cellule n'a pas été remplacée.
- **Ampoule UV brûlée** = Clignotement rapide et intermittent du voyant lumineux (bip visuel) - même état que pour le remplacement nécessaire Assemblage de la cellule ActivePure, décrit ci-dessus.
- **Remplacement Assemblage de la cellule ActivePure** : Lors du remplacement Assemblage de la cellule ActivePure, vous devez appuyer sur un bouton situé sur la carte électronique principale. Le voyant lumineux doit alors clignoter trois fois (plus lentement que le bip rapide décrit ci-dessus) puis s'éteindre. Ceci indique que la minuterie Assemblage de la cellule ActivePure a été remise à zéro. Appuyer sur ce bouton à tout moment avant la limite de 7500 heures *ou* avant qu'une défaillance de l'ampoule ne soit détectée ne permet **PAS** de réinitialiser la minuterie.
- **Alarme de fuite** : Le voyant lumineux clignote et une alarme sonore retentit. Si cela se produit, veuillez contacter le service à la clientèle au 1.800.989.2299

Carte électronique



Voyant lumineux



FOIRE AUX QUESTIONS



ATTENTION

Nous recommandons vivement de faire installer le LaundryPure 2.0 par un plombier agréé.

Le LaundryPure 2.0 permet-il d'éliminer les taches tenaces sans traitement préalable? Les taches tenaces nécessiteront toujours un traitement préalable.

Le LaundryPure 2.0 fonctionne-t-il avec tous les types d'eau, y compris l'eau dure? Le dispositif LaundryPure 2.0 fonctionne peu importe la qualité de votre eau ménagère. Toutefois, une préfiltration supplémentaire pour retirer les sédiments peut être nécessaire en fonction de la condition de l'eau source.

REMARQUE : Ne jamais utiliser avec un filtre à charbon.

Le LaundryPure 2.0 fonctionne-t-il avec les machines à laver industrielles? Le dispositif LaundryPure 2.0 est uniquement destiné à un usage résidentiel.

Doit-on faire appel à un plombier pour installer le LaundryPure 2.0?

Il est fortement recommandé de faire appel à un plombier agréé pour l'installation du LaundryPure 2.0. La pression de l'eau DOIT être vérifiée et conforme aux spécifications indiquées avant l'installation. Si la pression de l'eau est supérieure à 60 psi, vous DEVEZ utiliser un réducteur de pression d'eau (vendu séparément). Il convient d'indiquer que des problèmes éventuels peuvent survenir lors de l'installation, en fonction de l'état de la plomberie de la maison et de la configuration et de l'emplacement de la machine à laver. Si le robinet d'eau froide est coincé ou si la machine à laver doit être déplacée et remise à niveau, l'aide d'un plombier peut s'avérer nécessaire. **Vollara décline toute responsabilité à l'égard d'une installation incorrecte ou des dégâts dus à une installation incorrecte et recommande le recours à un plombier agréé.** Les avertissements et indications appropriés sont inclus dans le présent manuel de l'utilisateur. Respectez toujours les codes locaux en matière de plomberie lors de l'installation du dispositif LaundryPure 2.0.

Puis-je raccorder le dispositif LaundryPure 2.0 à des appareils autres qu'une machine à laver? Non. Toutefois, Vollara propose en option une trousse d'adaptateur ActiveClean, que vous pouvez installer sur le dispositif LaundryPure 2.0 pour produire de l'eau contenant des oxydants à base d'oxygène, à d'autres fins de nettoyage (voir page 30).

Quel est l'effet du dispositif LaundryPure 2.0 sur les élastiques? L'utilisation normale du LaundryPure 2.0 ne devrait avoir aucun effet négatif sur les élastiques de vos vêtements.

Puis-je faire tremper mes vêtements?

Il n'est pas recommandé de laisser les vêtements tremper dans l'eau fournie par le dispositif LaundryPure 2.0.

DES PROBLÈMES D'INSTALLATION?

Les procédures d'installation peuvent varier en fonction du modèle de machine à laver. Si vous rencontrez des problèmes lors de l'installation, consultez le manuel et regardez la vidéo d'installation pour vous assurer d'avoir installé l'appareil correctement. Contactez le service à la clientèle au 1. 800.989.2299 pour de plus amples informations.

Pour l'installation ou le dépannage, veuillez contacter votre distributeur Vollara ou le service à la clientèle Vollara pour plus d'assistance au 1.800.989.2299 ou email customerservice@vollara.com.

DÉPANNAGE

À PROPOS DE

DEL	État de la lumière	Problème	Solution
Bleu	En continu	Fonctionnement normal	L'unité fonctionne normalement
Bleu	2 clignotements (clignotement, clignotement, pause de 2 secondes, clignotement, clignotement, pause de 2 secondes...)	Échec de mise en marche de l'ampoule UV	<ol style="list-style-type: none"> Appuyez sur le bouton reset (réinitialiser) pendant plusieurs secondes. Lorsque la lumière à DEL bleue clignote trois fois (clignotements longs), allumez l'unité pour s'assurer qu'elle fonctionne. Si l'étape 1 n'a pas résolu le problème, remplacez Assemblage de la cellule ActivePure®.
Bleu(*)	1 clignotement (clignotement, pause de 2 secondes, clignotement, pause de 2 secondes...)	Clignote seulement lorsque l'eau NE COULE PAS.	Unité fonctionnelle, mais il est temps de remplacer la Assemblage de la cellule ActivePure. La lumière à DEL bleue clignote continuellement jusqu'au remplacement Assemblage de la cellule ActivePure.
Bleu(*)	1 clignotement (clignotement - pause de 2 secondes, clignotement - pause de 2 secondes...)	Clignote continuellement, que de l'eau s'écoule ou non.	Unité éteinte, car la Assemblage de la cellule ActivePure n'est plus fonctionnelle. Changez OBLIGATOIREMENT Assemblage de la cellule ActivePure pour continuer à utiliser la machine à laver.
Bleu	Clignotement avec sonnerie	Fuite, humidité importante, condensation ou faux signal provoqué par le bruit électrique	<p>Fuite visible – Réparation nécessaire</p> <p>Aucune fuite visible – (a) Vérifiez la condensation accumulée sur la tuyauterie basse pression en raison de la température froide de l'eau et de l'excès de chaleur ou d'humidité à proximité. (b) Débranchez l'unité pendant 10 secondes pour vérifier que le problème est réglé. (c) Vérifiez que la sécheuse est ventilée vers l'extérieur. (d) Assurez-vous que le capteur est complètement sec.</p> <p>Bruit dans les lignes électriques – Le microprocesseur confond le bruit électrique avec une fuite.</p>

Problème	Cause commune	Solution
La machine à laver ne se remplit pas, code ERR	La machine à laver est équipée d'un capteur de température d'eau froide	Assurez-vous que le tuyau d'eau chaude est branché et fonctionnel
	Machine à très haut rendement	Branchez le raccord «Y» sur la machine. Réglez la température sur chaud.
	Tuyau tordu ou robinet partiellement ouvert	Assurez-vous que les tuyaux ne sont pas pliés ou tordus. Vérifiez que le robinet d'eau froide est totalement ouvert.
	Pression dynamique de l'eau de moins de 20 psi	Reliez à une source d'eau dont la pression est supérieure à 20 psi.
Odeurs	Conditions de la source d'eau. Les conditions peuvent changer au cours de l'année. Les puits sans chlore peuvent causer l'apparition de bactéries odorantes dans l'eau.	L'ajout du préfiltre peut aider dans de nombreux cas.
	Développement de moisissures, de bactéries ou d'eau stagnante dans la machine à laver. Plus probable pour les machines à chargement frontal que pour les machines à chargement par le haut, mais les deux modèles sont affectés.	Utilisez au moins une fois par mois un nettoyant pour la machine à laver offert sur le marché.
Vêtements non nettoyés	Surcharge	Réduisez la quantité de vêtements dans la machine.
	Niveau d'eau ou cycle de lavage incorrects	Choisissez les paramètres correspondants selon la quantité de vêtements et leur niveau de saleté.
	Vêtements très sales	Ajoutez une petite quantité de détergent au lavage.
	Pollution de la source d'eau	L'ajout du préfiltre peut aider dans de nombreux cas.

DÉPANNAGE (SUITE)

Le système LaundryPure 2.0 ne déverse aucun type de produits ou d'agents chimiques nocifs dans l'eau qui pourraient nuire aux vêtements, à la laveuse ou à l'environnement. Les tableaux ci-dessous répondent aux questions fréquentes posées aux fabricants de laveuses.

Problème	Cause commune	Solution
Taches blanches ou noires	Graisse provenant du joint d'étanchéité ou du palier de l'agitateur.	La graisse provenant des agitateurs de machines à chargement par le haut peut fuir et se déposer sur les vêtements pendant le lavage, ce qui se produit le plus souvent dans les anciennes machines à cause de l'usure.
	Assouplisseur	Les assouplisseurs laissent une tache grasseuse s'ils entrent en contact avec le vêtement avant d'être TOTALEMENT dilués dans l'eau. Ne le versez jamais directement sur les vêtements.
	Fer, magnésium dans la source d'eau	Les minéraux peuvent provoquer des taches sur les vêtements. Le préfiltre basse pression peut aider en cas d'excès de minéraux.
	Parfum, vaporisateur ou lotion pour le corps	Les parfums, vaporisateurs ou lotions pour le corps contiennent des substances chimiques qui peuvent tacher.
	Surcharge	Réduisez la quantité de vêtements dans la machine.
	Huiles des chiffons ou des serviettes servant à nettoyer les dégâts	Lavez séparément. S'assurer qu'aucun résidu huileux ne reste dans la machine à laver, auquel cas il se déposera sur les vêtements au prochain lavage.
	Nettoyez ou remplacez le filtre de la machine à laver	Certaines machines possèdent des filtres d'eau qui ont besoin d'être entretenus régulièrement. Si nécessaire, assurez-vous que le filtre est propre, ou remplacez-le au besoin. Il arrive que les contaminants passent au travers du filtre et tachent les vêtements.
	Faible niveau d'eau	Ajustez le niveau d'eau
	Quantité excessive de chlore dans la source d'eau	L'ajout du préfiltre basse pression peut aider à éliminer l'excès de chlore de la source d'eau.
	Du détergent séché s'effrite	Les détergents peuvent sécher dans la machine; sur le tambour, sous l'agitateur et entre le tambour externe et interne. Si du détergent sec entre en contact avec les vêtements, des taches peuvent apparaître.
Les vêtements blancs deviennent gris avec le temps	Les couleurs se mélangent	Ne lavez jamais le blanc avec d'autres couleurs. Même les vêtements peu colorés peuvent déteindre, ce qui peut griser les vêtements blancs.
	Javellisant	Si la source d'eau est dure, il se peut que le javellisant réagisse avec certains minéraux dans l'eau.
	Contaminants dans l'eau	L'eau de puits peut causer plus de problèmes que l'eau municipale, car elle n'est ni traitée ni réglementée. L'installation d'un préfiltre basse pression peut régler certains problèmes de source d'eau.
	Surcharge de la machine à laver	Les machines à laver à chargement par le haut sont plus enclines à être surchargées comme elles n'utilisent qu'une petite quantité d'eau. Réduisez la quantité de vêtements dans la machine.
Trous dans les vêtements après le lavage	Produits chimiques (javellisant)	Ne laissez pas vos vêtements entrer en contact avec un javellisant ou tout autre produit chimique.
	Autres vêtements : contact avec les fermetures éclair, les armatures, les objets qui n'ont pas été retirés des vêtements, etc.	Retirez tout objet des vêtements avant de les laver.
	Parties mécaniques : vêtement coincé entre le tambour et le joint d'étanchéité du couvercle. Surface interne du tambour endommagée.	Recours à un réparateur de machine à laver possible.

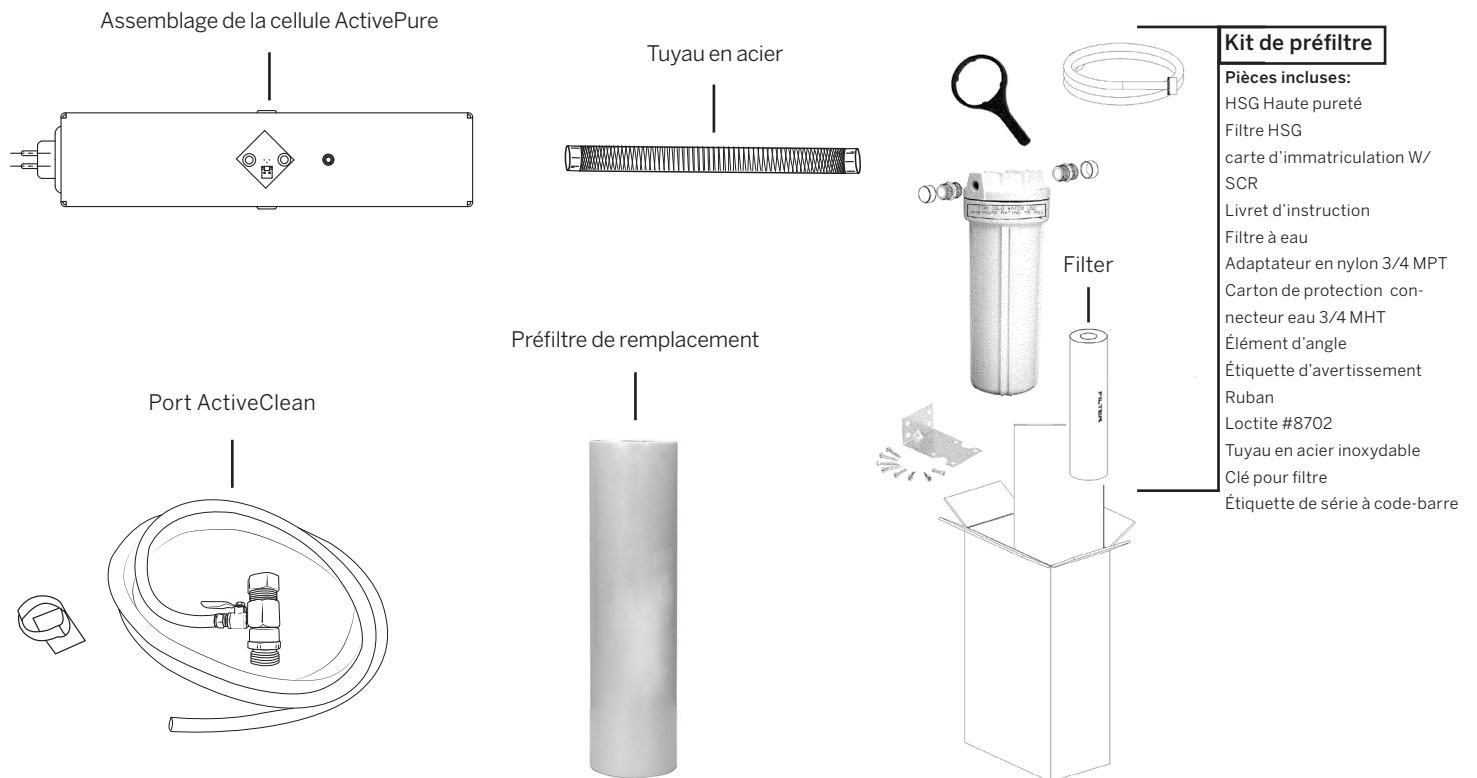
PIÈCES DE RECHANGE ET RÉPARATION



**MISE EN
GARDE**

Utiliser uniquement les pièces de rechange recommandées par le fabricant.

REPLACEMENT PARTS	PART NUMBER
Assemblage de la cellule ActivePure®	49919
Tuyau en acier	US70980
LaundryPure avec adaptateur ActiveClean optionnel	9950107
Kit de préfiltre LaundryPure	US40440
Préfiltre de remplacement LaundryPure	US70997



Pour commander des pièces de rechange, contactez votre entrepreneur indépendant Vollara, ou le service à la clientèle Vollara, au 1.800.989.2299, ou par courriel à l'adresse customerservice@vollara.com, pour obtenir de l'assistance.

INFORMATIONS DE GARANTIE

Garantie limitée de trois (3) ans

Pour enregistrer votre LaundryPure 2.0, rendez-vous sur vollaraintl.com/vollara/warrantyregistration.aspx.

Le propriétaire de l'appareil ne peut lui-même emballer l'appareil et l'expédier, car des dommages irréparables seront causés à l'appareil LaundryPure 2.0. Pour le service sous garantie, veuillez communiquer avec l'établissement le plus près de votre domicile.

CE QUI EST COUVERT PAR LA GARANTIE

Le garantie l'appareil LaundryPure 2.0 au consommateur contre tout défaut de matériau ou de fabrication, sous réserve des conditions ci-dessous et que le produit visé soit retourné à un établissement dans les délais suivants:

- LaundryPure 2.0 : dans les 3 ans suivant la date d'achat.
- Assemblage de la cellule ActivePure dans les 12 mois suivant la date d'achat.

EXIGENCES RELATIVES À L'INSTALLATION ET À L'ENTRETIEN

Cette garantie est expressément conditionnelle aux exigences suivantes en fait d'installation et d'entretien : (i) le système LaundryPure 2.0 doit être installé, utilisé et entretenu conformément au manuel de l'utilisateur; et (ii) tous les boyaux doivent être remplacés aux intervalles de temps prescrits dans le manuel de l'utilisateur (une preuve du changement de boyau peut être exigée). En cas de non-conformité à l'une de ces exigences, cette garantie sera annulée. Faire faire l'entretien de votre LaundryPure 2.0 par une partie autre qu'un représentant autorisé de et/ou utiliser des pièces autres que les pièces d'origine de annulera également cette garantie.

COMMENT OBTENIR LE SERVICE DE GARANTIE

Les clients doivent communiquer avec un détaillant/établissement et fournir une preuve d'achat dans les délais ci-haut mentionnés. Le réparera ou remplacera et retournera le produit sans frais et dans un délai normal, sous réserve des conditions énoncées dans le paragraphe précédent, si son examen révèle un défaut de matériau ou de fabrication. Si, après un nombre raisonnable de tentatives, à sa discrétion, n'est pas en mesure de réparer le produit, en remboursera le prix d'achat ou le remplacera, au gré de la compagnie.

CE QUI N'EST PAS COUVERT PAS CETTE GARANTIE

Ce produit est destiné à un usage domestique seulement. Utiliser cet appareil uniquement avec une eau provenant d'un système municipal. L'usure normale n'est pas considérée comme un défaut de matériau ou de fabrication. Cette garantie ne s'applique pas aux filtres ni à la perte ou aux dommages causés par un accident, un incendie, une mauvaise utilisation, une installation incorrecte, une pression d'eau excessive, une fuite, une modification, une application incorrecte, une utilisation commerciale ou toute autre réparation autre que celles fournies par un représentant autorisé. Cette garantie ne couvre pas les dommages causés par l'eau.

EXCLUSION D'AUTRES GARANTIES ET CONDITIONS

SOUS RÉSERVE DES DISPOSITIONS PRÉVUES AUX PRÉSENTES, N'ÉNONCE AUCUNE REPRÉSENTATION OU GARANTIE ET, EN OUTRE, DÉCLINE EXPRESSÉMENT TOUT AUTRE GARANTIE DE QUELQUE NATURE QUE CE SOIT, EXPRESSE OU IMPLICITE, Y COMPRIS TOUTE GARANTIE IMPLICITE DE QUALITÉ MARCHANDE OU DE CONVENANCE À UN USAGE PARTICULIER.

NUMÉROS DE SÉRIE MANQUANTS ET ACHATS NON CONFORMES À NOS POLITIQUES

La vente des produits est autorisée seulement par le biais de représentant(es) autorisé(es) d'Vollara. Toutes les garanties seront annulées si l'achat du produit se fait via un canal non autorisé. Tout produit vendu d'une façon qui contrevient à nos politiques et lignes directrices en matière de publicité sur Internet ne sera pas couvert par la garantie. Cela inclut les sites Internet qui ne sont pas autorisés à utiliser nos noms de marque, nos images ou nos logos, ou encore un site de vente aux enchères (p. ex. : eBay et Craigslist). En cas d'absence de numéro de série sur le produit, la garantie sera annulée. Pour confirmer la couverture de la garantie avant de faire l'acquisition d'un produit, veuillez nous contacter aux États-Unis : 1.800.989.2299 avec le numéro de série situé au dos de l'article.

LIMITE DE RESPONSABILITÉ À L'ÉGARD DES DOMMAGES PARTICULIERS, ACCESSOIRES OU INDIRECTS

DÉCLINE TOUTE RESPONSABILITÉ À L'ÉGARD DES DOMMAGES PARTICULIERS, ACCESSOIRES OU INDIRECTS RÉSULTANT DU NON-RESPECT DES GARANTIES, CONDITIONS OU REPRÉSENTATIONS EXPRESSES OU IMPLICITES, D'UNE VIOLATION DE CONTRAT, DE NÉGLIGENCE OU D'AUTRES THÉORIES JURIDIQUES. Ces dommages exclus comprennent, sans s'y limiter, la perte de profits ou de revenus, et la perte de jouissance du produit et toutes autres pertes encourues par des fuites ou autres dommages causés par l'eau.

DISPOSITIONS APPLICABLES AUX ÉTATS-UNIS SEULEMENT

Cette garantie confère des droits juridiques précis qui peuvent être complétés par d'autres droits variant d'un État à l'autre. Certains États ne permettent pas de limiter les garanties ou les recours en cas de non-respect. Dans ces États, les dispositions limitatives ci-dessous peuvent être sans effet.

DISPOSITIONS APPLICABLES AU CANADA SEULEMENT

Exclusion des propriétaires subséquents: Sauf disposition contraire dans les lois applicables, cette garantie n'est pas transférable. Cette garantie confère des droits juridiques précis, qui peuvent être complétés par d'autres droits variant d'une province à l'autre. Certaines provinces et certains territoires ne permettent pas de limiter les garanties ou les recours en cas de non-respect. Dans ces provinces ou territoires, les dispositions limitatives ci-dessus peuvent être sans effet. Si une cour compétente prononce quelque disposition de cette garantie totalement ou partiellement invalide, illégale ou inapplicable, les autres dispositions demeurent valides, légales et applicables, et ne sont en aucun cas modifiées ou atténuées dans le cadre de la compétence de cette cour. La garantie entière continue d'être valide, légale et applicable dans toute juridiction ne s'étant pas prononcée de façon similaire.

Cette garantie est fournie par :
ActivePure Manufacturing, LLC
1300 Valley Drive,
Bristol, VA 24201

ENTRETIEN

Nous nous efforçons, dans toute la mesure du possible, de veiller à ce que nos clients reçoivent des manuels d'utilisation de mc à jour; cependant, de temps en temps, nos produits sont modifiés sans préavis, ce qui pourrait changer les informations contenues dans ces manuels. Veuillez contacter le service à la clientèle au 1.800.989.2299.

DÉCLARATION FCC ET PARTIE RESPONSABLE

Cet appareil a été testé et déclaré conforme aux limites relatives à un appareil numérique de classe B, en vertu de la section 15 des règles de la FCC. Ces limites sont conçues pour apporter une protection raisonnable contre les interférences dangereuses dans une installation résidentielle. Cet équipement génère, utilise et peut émettre des fréquences radio et, s'il n'est pas installé et utilisé conformément aux instructions, peut provoquer des interférences nuisibles aux communications radio. Cependant, il n'est pas garanti que des interférences ne se produiront pas dans une installation en particulier. Si cet équipement cause des interférences dangereuses pour la radio ou la télévision, ce qui peut être déterminé en allumant et éteignant l'appareil, on encourage l'utilisateur à tenter de corriger l'interférence par une ou plusieurs des mesures suivantes :

- Réorienter ou déplacer l'antenne de réception.
- Augmenter la distance de séparation entre l'appareil et le récepteur.
- Brancher l'appareil à une prise reliée à un circuit autre que celui où est branché le récepteur.
- S'adresser à un entrepreneur indépendant pour obtenir de l'assistance.

DÉCLARATION DE CONFORMITÉ À LA FCC

Nom: LaundryPure 2.0

Modèle: W1017C

Fabricant : ActivePure Manufacturing, LLC

Cet appareil est conforme à la section 15 de la réglementation FCC.

PARTIE RESPONSABLE

ActivePure Manufacturing, LLC
1300 Valley Drive
Bristol, VA 24201, USA

Tél: 1.800.572.0502

Signature: 

Nom en lettres moulées: Andrew Eide

Fonction : Vice-président du développement et de la fabrication des produits

Date: 02/05/23



Pour plus d'informations sur l'utilisation de ce produit, veuillez contacter votre entrepreneur indépendant Vollara, ou le service à la clientèle Vollara, au **1.800.989.2299**, ou par courriel à l'adresse **customerservice@vollara.com**, pour obtenir de l'assistance.

[Vollara.com](https://www.vollara.com)